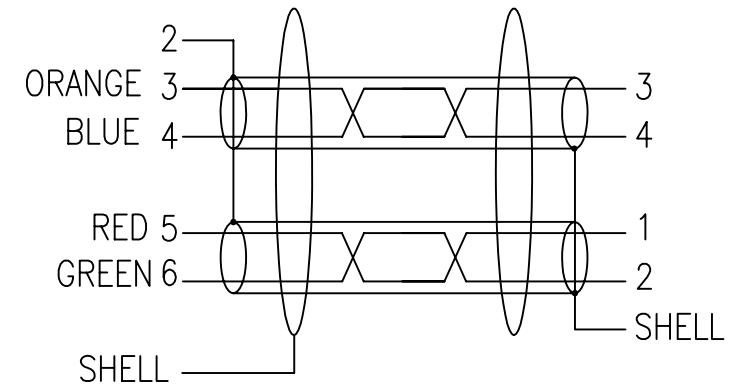


PIN OUT

P1

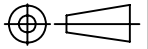
P2

P/N	XX(FT)	L(MM)	TOLERANCE(MM)
1394-64G-03	03	914	+50/-0
1394-64G-06	06	1829	+75/-0
1394-64G-10	10	3048	+75/-0



NOTE:

- CABLE:UL20276 1394 CABLE,(30AWG*1P+AL/MYLAR+BRAID SHIELD)*2+FILLER+TRANSPARENT MYLAR+AL/MYLAR+BRAID (A-M ALLOY)SHIELDED WITH DRAIN WIRE(BARE COPPER), JACKET: BLACK PVC OD:5.4±0.15MM.
- CONN.:P1,IEEE 1394 6P PLUG,SOLDER TYPE,BLACK PBT INSULATION,GOLD PLATED CONTACTS,GOLD PLATED SHELL.
P2,IEEE 1394 4P PLUG,SOLDER TYPE,BLACK PBT INSULATION,GOLD PLATED CONTACTS,GOLD PLATED SHELL.
- OUTER MOLDED BLACK PVC.
- TESTING:100% ELECTRICAL TESTING
- MOLD NO:P1.1394-0601;P2.1394-0401

NET MECHANISM Corp www.cabling-ol.net				
SCALE	NONE		REV	B
UNIT	MM			
SHEET	1/1	DWG NO.		
DATE	10/21/10			
TITLE	1394 6M TO 1394 4M			
PART NO.	1394-64G-XX			