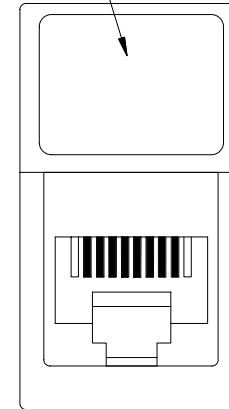
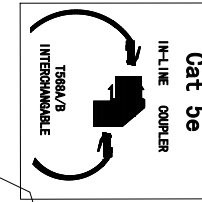
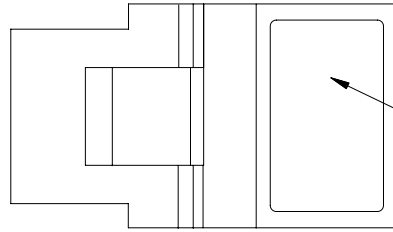
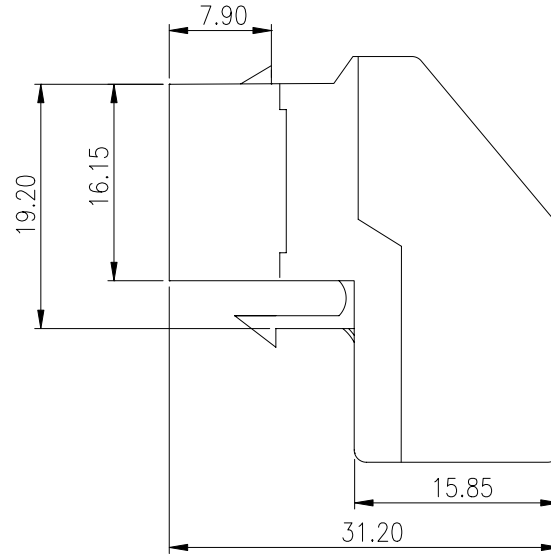
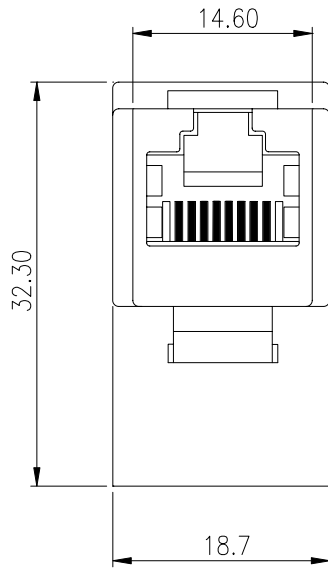


SUGGESTED PANEL CUTOUT



Cat 5e
UL CERTIFIED



ACCORDING TO TIA/EIA-568-B-2
REQUIREMENTS
FILE NO. E145249

MATERIAL
Housing:ABS,UL94V-0
Spring Wire:Phospher Bronze with 50u
"Gold over 100u"Nickel undercoat
Temperature:-40C~68C
Humidity:10%~90%RH
Modular jack:750 mating cycles

ELECTRICAL:
Current rating:1.5Amps
Insulation resistance:500MOhm
Contact resistance:20MOhm
DC resistanc:0.10hm
Dielectric withstanding voltage:1000v

NET MECHANISM Corp				
www.cabling-ol.net				
SCALE	NONE		REV	A
UNIT	MM			
SHEET	1/1	DWG NO.		
DATE	11/13/04	TITLE		
		2100-8-C5e-XX		
PART NO.		AC5-PA		