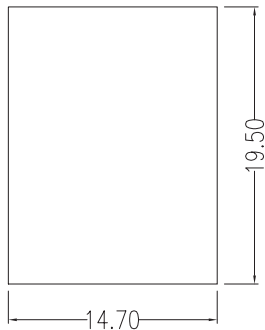
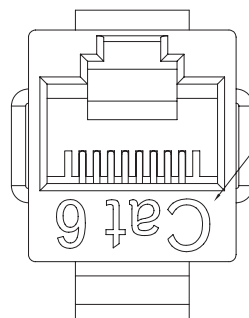
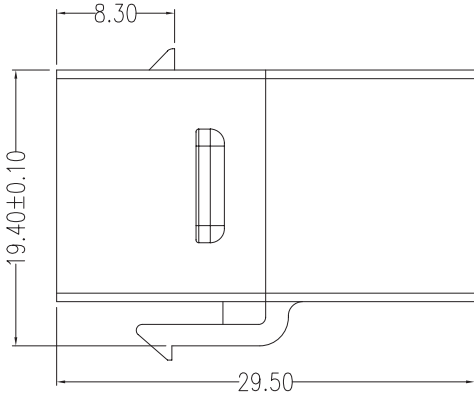
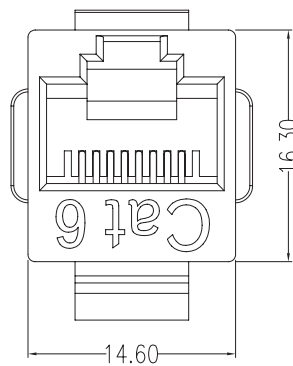
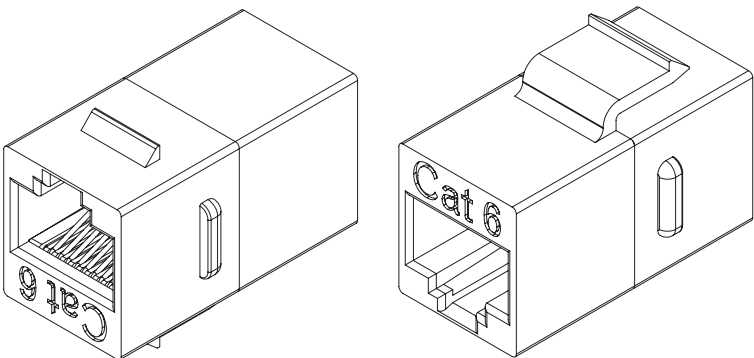


REVISIONS				
ZONE	REV	DESCRIPTION	DATE	APPROVED
	▲			
	▲			



Suggested Panel Cutout



Cat 6
UL CERTIFIED



ACCORDING TO TIA/EIA 568 B.2 1
REQUIREMENTS
FILE NO.E145249

MATERIAL

Housing: ChiMei ABS PA-765A UL94V-0
Spring Wire: Phosphor Bronze w/50u
Gold over 100u Nickel undercoat
PCB : GP FR-4 UL94V-0 Goldplated PCB
Contact Holder : Dupont Zytel FR50
Solder : GP Solder - Sn/Ag/Cu

ELECTRICAL

Current rating: 1.5 Amps
Insulation resistance: 500 MOhm
Contact resistance: 20 mOhm
DC resistance: 0.1 Ohm
Dielectric withstanding voltage: 1000 V

***ROHS COMPLIANT**

COMMON TOLERANCE		SHEET OF	ALL COPY RIGHTS RESERVED	
CLASS	A		A4	NET MECHANISM CORP.
DIMENSION			DIA	mm
L<=3	±0.05	±0.1	SCALE	2:1
3<L<=6	±0.05	±0.1	DATE	206.02.22
6<L<=16	±0.1	±0.15	DESIGN	
16<L<=30	±0.1	±0.2	DRAWN	
30<L<=120	±0.15	±0.3	CHECKED	
120<L<=315	±0.2	±1		

ALL COPY RIGHTS RESERVED

NET MECHANISM CORP.

TITLE
AC6R-P

DRAWING NO. **C-101**