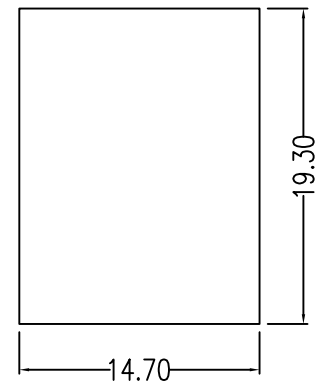
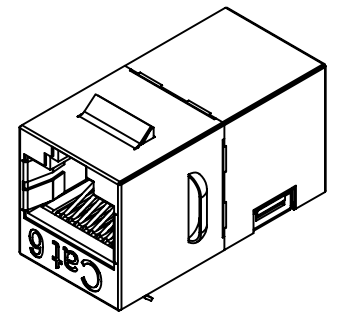
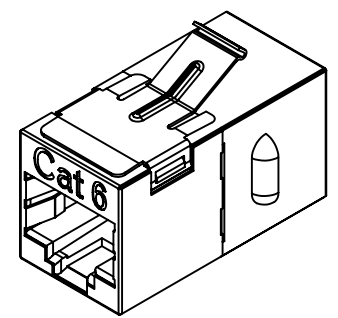
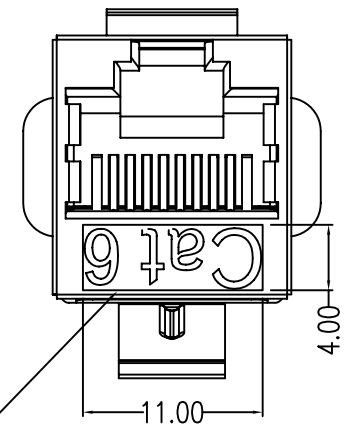
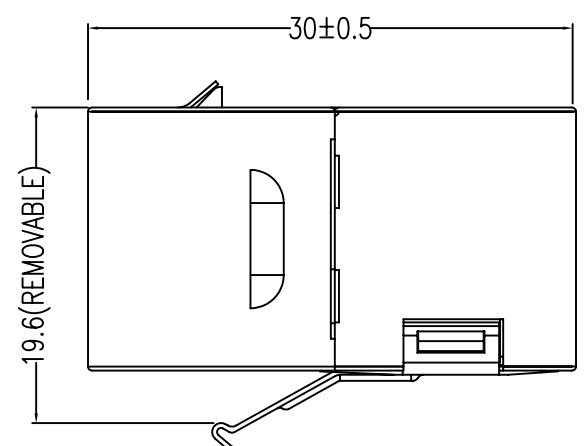
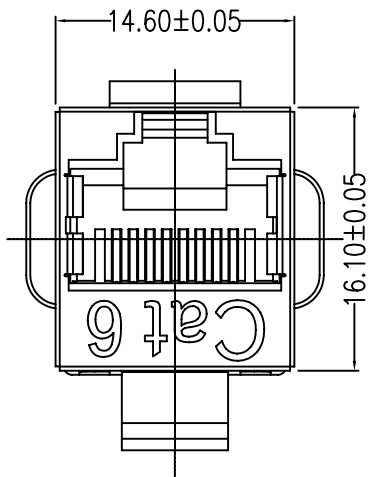


REVISIONS				
ZONE	REV	DESCRIPTION	DATE	APPROVED
	▲			
	▲			



Cat 6
UL CERTIFIED



ACCORDING TO TIA/EIA-568-B.2-1
REQUIREMENTS
FILE NO.E145249

Suggested Panel Cutout

* ROHS COMPLIANT

MATERIAL

Housing: ChiMei ABS PA-765A UL94V-0
Spring Wire: Phosphor Bronze w/50u
Gold over 100u Nickel undercoat
PCB : GP FR-4 UL94V-0 Goldplated PCB
Contact Holder : Dupont Zytel FR50
Solder : Sn/Ag/Cu
Shielded:Copper alloy with nickel plated.

ELECTRICAL

Current rating: 1.5 Amps
Insulation resistance: 500 MOhm
Contact resistance: 20 mOhm
DC resistance: 0.1 Ohm
Dielectric withstanding voltage: 1000 V

COMMON TOLERANCE			SHEET OF		ALL COPY RIGHTS RESERVED	
CLASS	A	B	SIZE	A4	NET MECHANISM CORP.	
DIMENSION			DIA	mm	TITLE	
L<=3	±0.05	±0.1	SCALE	2:1	AC6R-PS	
3<L<=6	±0.05	±0.1	DATE	2004.02.10	DRAWING NO.	
6<L<=16	±0.1	±0.15	DESIGN		C-034-4	
16<L<=30	±0.1	±0.2	DRAWN		CHECKED	
30<L<=120	±0.15	±0.3				
120<L<=315	±0.2	±0.5				