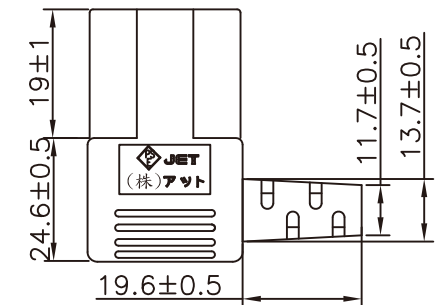
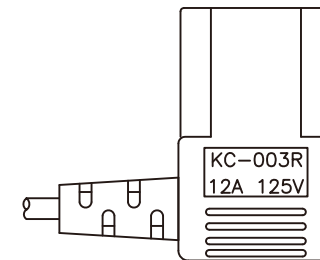
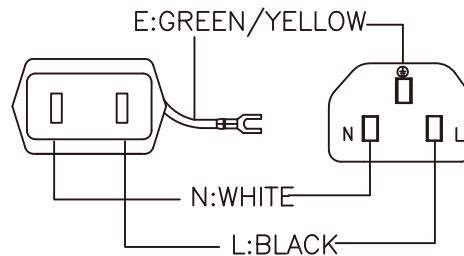
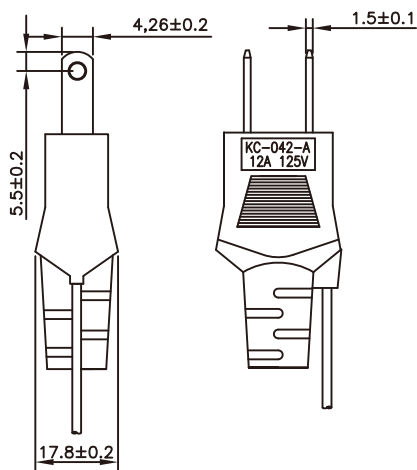
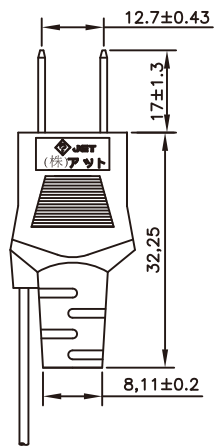
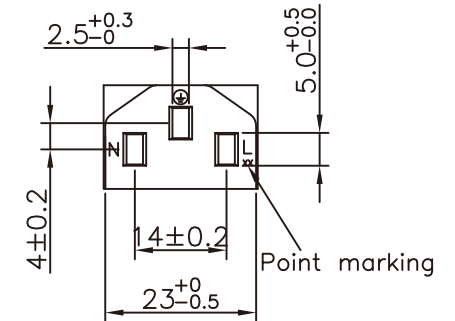


P/N	L(MM)	TOLERANCE(MM)	N(MM)
ACJ-2P3LS-12A-02	2000	$\pm$ 50	200 $\pm$ 30
ACJ-2P3LS-12A-03	3000	$\pm$ 50	250 $\pm$ 30



KC-042A: JET

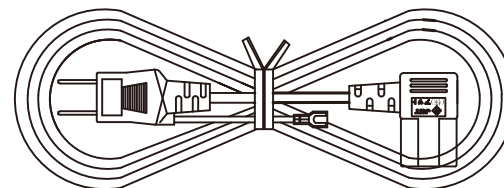
KC-003R: JET

1.CABLE:VCTF 3\*1.25mm<sup>2</sup> JACKET BLACK OD= $\phi$ 7.8 $\pm$ 0.15mm

2.PVC:88 A PVC BLACK

3.COLOR:BLACK

4.Tie:BLACK



NET MECHANISM Corp  
www.cabling-ol.net

SCALE	NONE		REV	A
UNIT	MM			
SHEET	1/1	DWG NO.K4A3R1VUXXXBR-R		
DATE	09/03/05			
TITLE				
PART NO.				