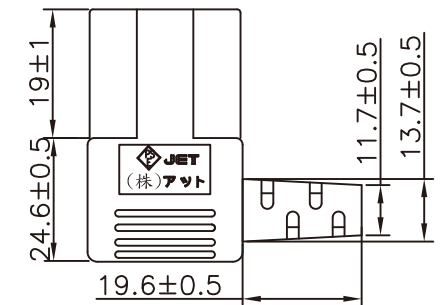
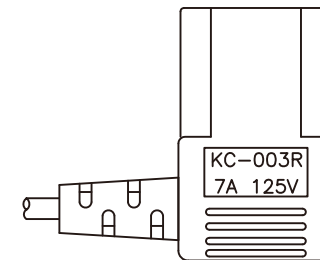
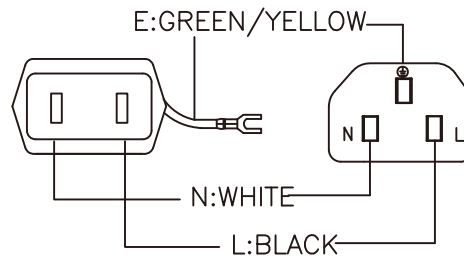
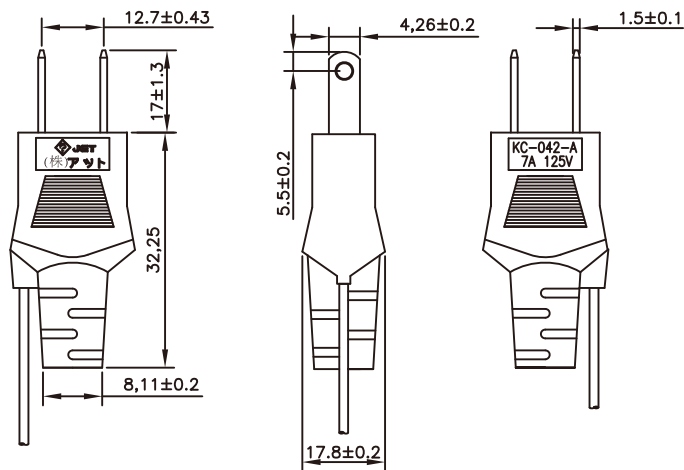
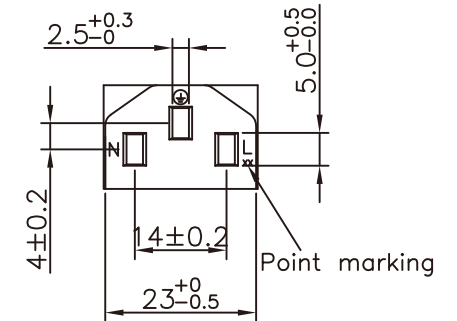


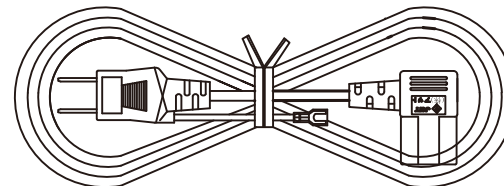
P/N	L(MM)	TOLERANCE(MM)	N(MM)
ACJ-2P3LS-02	2000	\pm 50	200 \pm 30
ACJ-2P3LS-03	3000	\pm 50	250 \pm 30



KC-042A: JET

KC-003R: JET

- 1.CABLE:VCTF 3*0.75mm² JACKET BLACK OD= ϕ 7.0 \pm 0.1mm
- 2.PVC:88 A PVC BLACK
- 3.COLOR:BLACK
- 4.Tie:BLACK



NET MECHANISM Corp www.cabling-ol.net				
SCALE	NONE		REV	A
UNIT	MM			
SHEET	1/1	DWG NO.K4A3R1T3XXXBR-R		
DATE	09/03/05			
TITLE				
PART NO.				