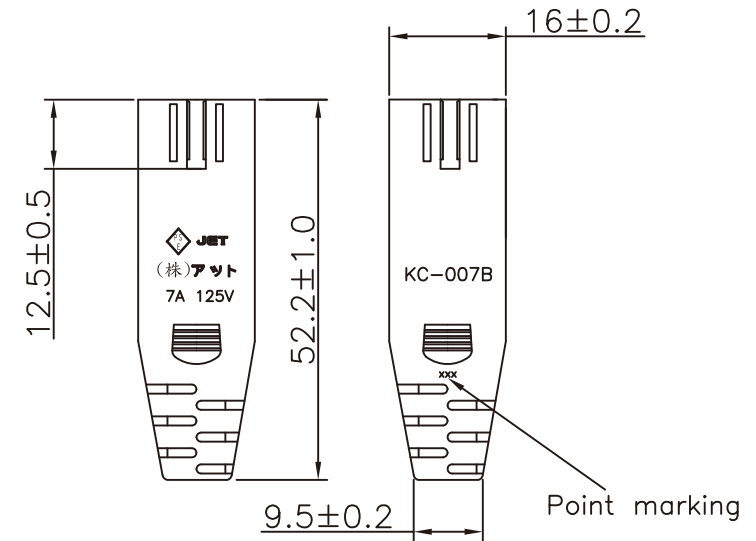
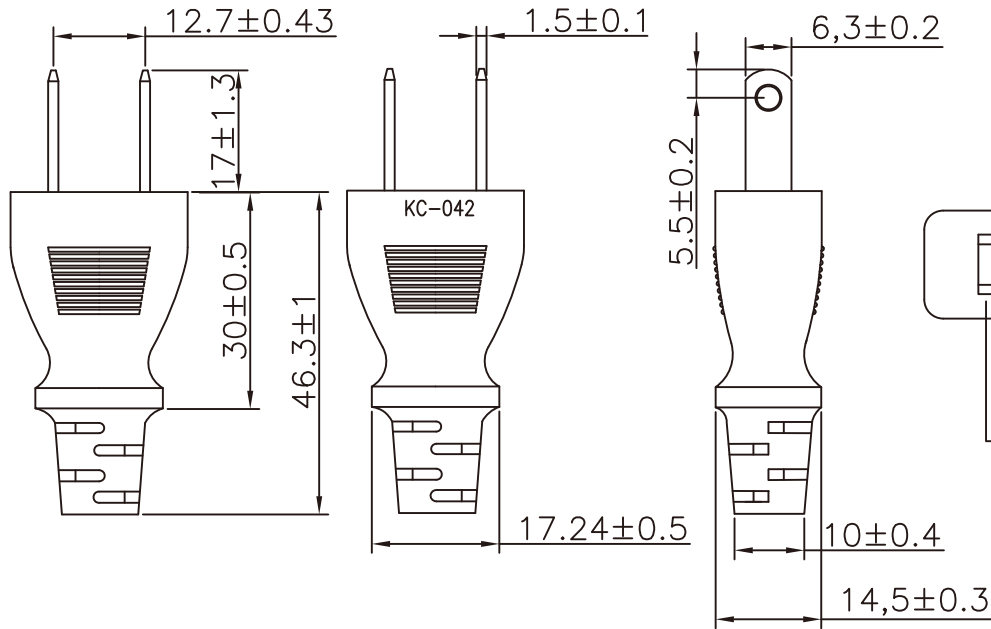
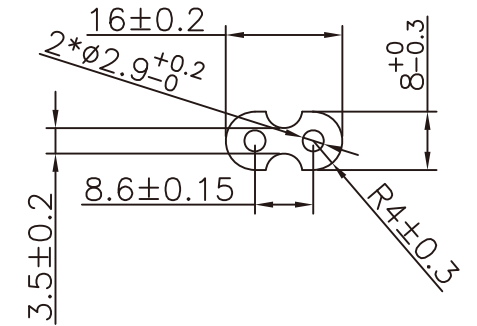
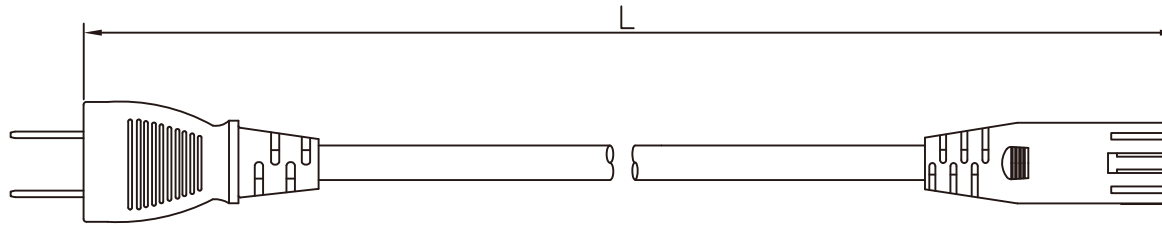
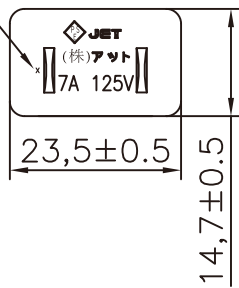


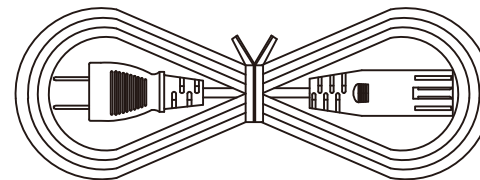
Point marking



P/N	L(MM)	TOLERANCE(MM)	N(MM)
ACJ-2PS-WOG-02	2000	±50	200±30
ACJ-2PS-WOG-03	3000	±50	250±30

KC-042: JET

KC-007B: JET



- 1.CABLE:VCTFK 2\*0.75mm<sup>2</sup> JACKET BLACK OD=Ø4.3\*6.6±0.1mm
- 2.PVC:88 A PVC BLACK
3. COLOR:BLACK
- 4.Tie:BLACK

NET MECHANISM Corp www.cabling-ol.net				
SCALE	NONE		REV	A
UNIT	MM			
SHEET	1/1	DWG NO.K427B1V4XXXBR		
DATE	09/03/04			
TITLE				
PART NO.				