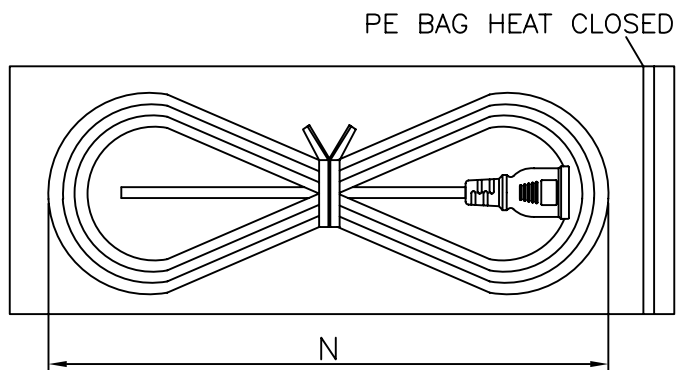
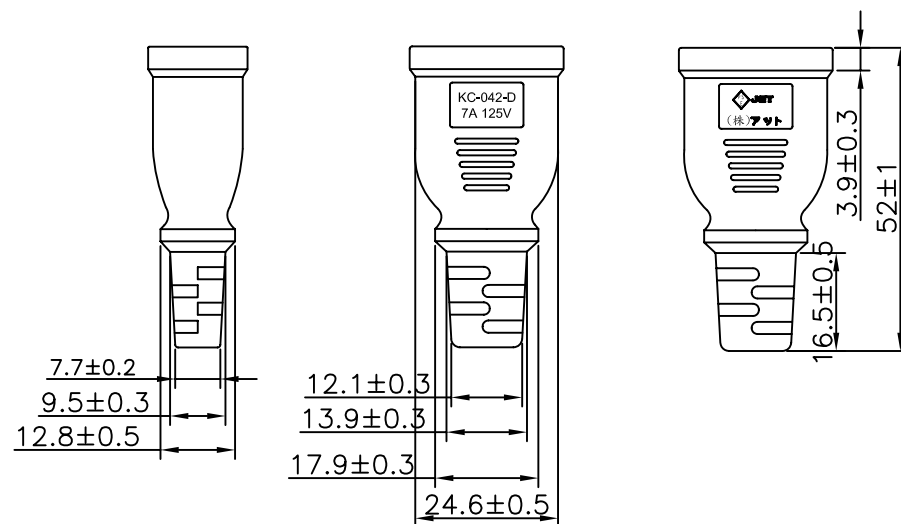
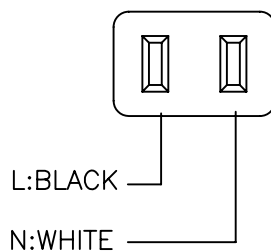


P/N	L(MM)	TOLERANCE(MM)	N(MM)
ACJ-2S-02	2000	±50	200±30
ACJ-2S-03	3000	±50	250±30



KC-042D: JET

NET MECHANISM Corp
www.cabling-ol.net

SCALE	NONE		REV	A
UNIT	MM			
SHEET	1/1	DWG NO.K004D1V4XXXBR		
DATE	09/04/21	TITLE		
PART NO.				

- 1.CABLE:VCTFK 2*0.75mm² JACKET BLACK OD=ø4.3*6.6±0.1mm
- 2.PVC:88 A PVC BLACK
- 3.COLOR:BLACK
- 4.Tie:BLACK