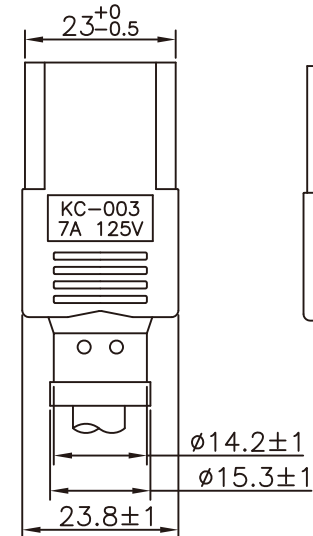
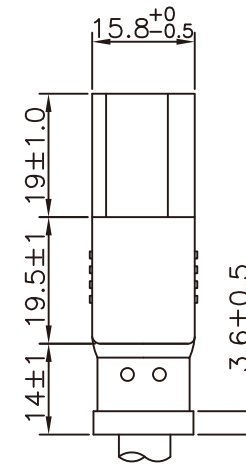
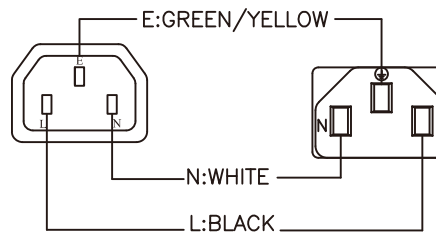
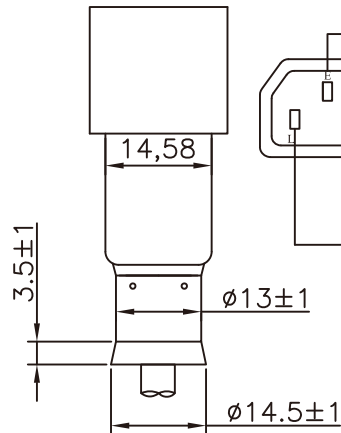
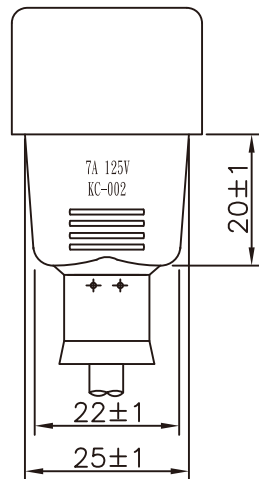
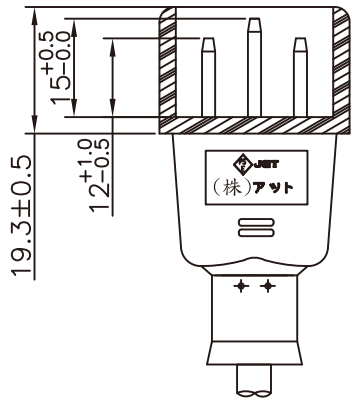


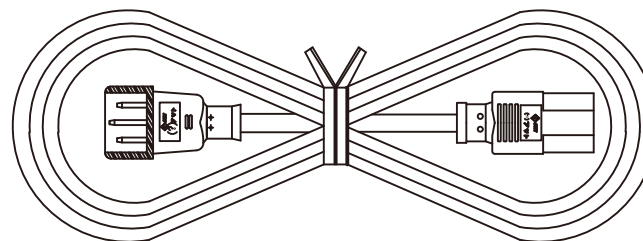
P/N	L(MM)	TOLERANCE(MM)	N(MM)
ACJ-3EP3S-02	2000	±50	200±30
ACJ-3EP3S-03	3000	±50	250±30



KC-002: JET

KC-003: JET

- 1.CABLE:VCTF 3\*0.75mm<sup>2</sup> JACKET BLACK OD=φ7.0±0.1mm
- 2.PVC:88 A PVC BLACK
- 3.COLOR:BLACK
- 4.Tie:BLACK



NET MECHANISM Corp  
www.cabling-ol.net

SCALE	NONE		REV	A
UNIT	MM			
SHEET	1/1	DWG NO.K02J31T3XXXBR		
DATE	09/03/05	TITLE		
PART NO.				