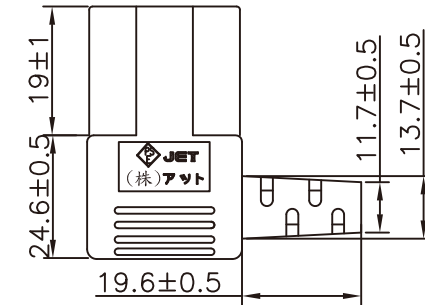
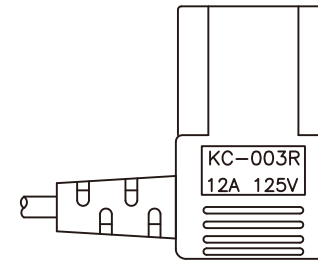
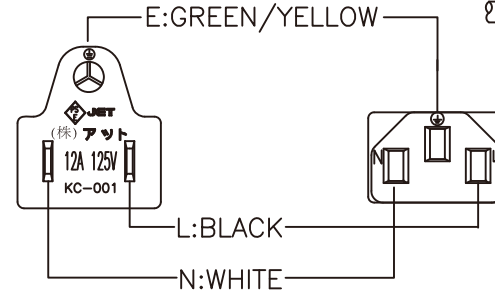
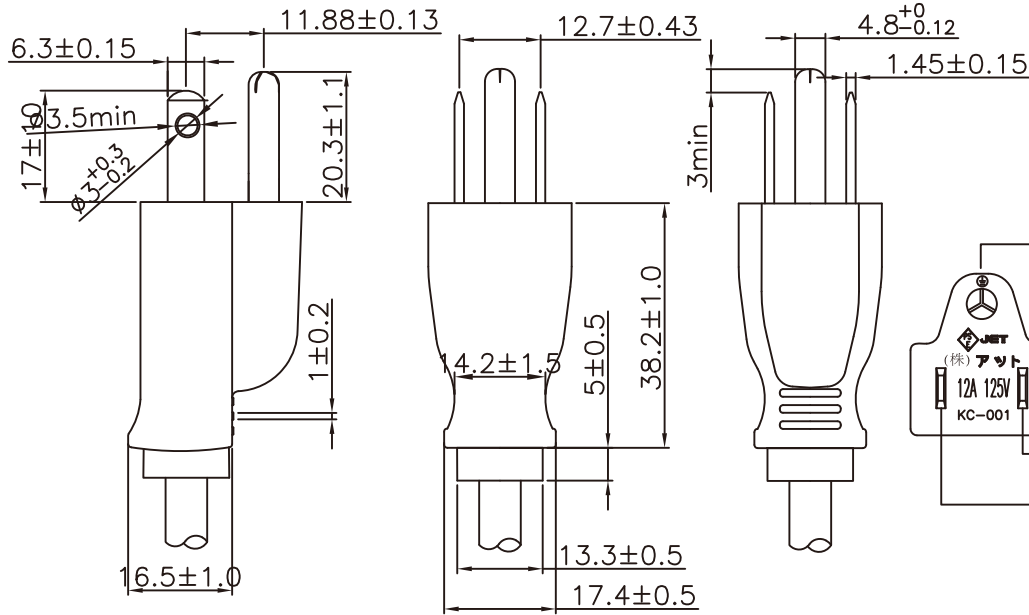
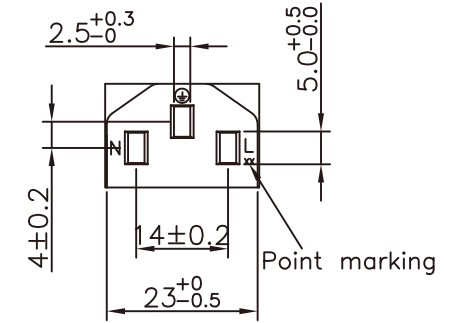


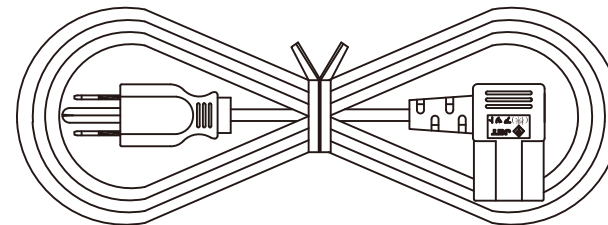
P/N	L(MM)	TOLERANCE(MM)	N(MM)
ACJ-3P3LS-12A-02	2000	±50	200±30
ACJ-3P3LS-12A-03	3000	±50	250±30



KC-001: JET

KC-003R: JET

- 1.CABLE:VCTF 3*1.25mm² JACKET BLACK OD=φ7.8±0.15mm
- 2.PVC:88 A PVC BLACK
- 3.COLOR:BLACK
- 4.Tie:BLACK



NET MECHANISM Corp
www.cabling-ol.net

SCALE	NONE		REV	A
UNIT	MM			
SHEET	1/1	DWG NO.KJ13R1VUXXXBR-R		
DATE	09/03/05	TITLE		
PART NO.				