

NOTE:

1. CABLE: [1C\*26AWG(7/0.16)+AL/MY+SPIRAL+PVC JACKET BLACK]\*2F FULL MATT OD=6.0\*6.0±0.15MM (IMPEDANCE:75 OHM)
2. CONNECTOR:P1 & P2 & P3 & P4 RCA PLUG,SHELL GOLD PLATED 3u", INSULATION WHITE.
- △ HOOD:MOLDED 45P PVC BLACK.
4. COLOR RING:60P PVC.
5. TESTING:100% ELECTRICAL TESTING

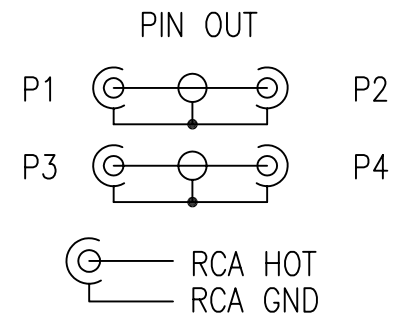


CHART:

P/N	XX(FT)	L(MM)	TOLERANCE(MM)
AD-2RMM-03	3	914	+50/-0
AD-2RMM-06	6	1829	+75/-0
AD-2RMM-12	12	3657	+75/-0
AD-2RMM-17	17	5182	+150/-0
AD-2RMM-25	25	7620	+150/-0
AD-2RMM-33	33	10058	+150/-0
AD-2RMM-50	50	15240	+300/-0

NET MECHANISM Corp www.cabling-ol.net				
SCALE	NONE		REV	A
UNIT	MM			
SHEET	1/1	DWG NO.		
DATE	08/30/05			
TITLE AUDIO CABLE 2RCA TO 2RCA				
PART NO.		AD-2RMM-XX		