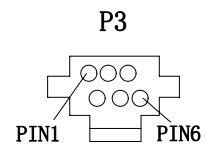
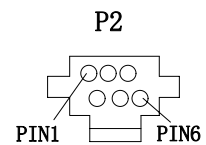
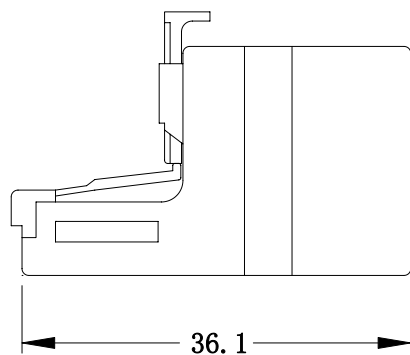


P1	P2	P3	
2	2	2	BLACK
3	3	3	RED
4	4	4	GREEN
5	5	5	YELLOW



NOTE:

1. GOLD WIRE:13MM, 15MM. GOLD FLASH.
2. UL1061 26AWG 90MM.
3. MODULAR JACK 6P4C ABS 94V-2 IVORY.
4. MODULAR PLUG 6P4C GOLD FLASH.

NET MECHANISM Corp				
www.cabling-ol.net				
SCALE	NONE		REV	A
UNIT	MM			
SHEET	1/1	DWG NO.		
DATE	06/17/05			
TITLE				
6P4C PLUG TO 6P4C JACK*2				
PART NO.				
ADP-2RJ11				