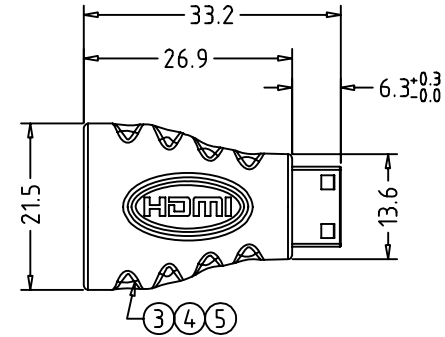
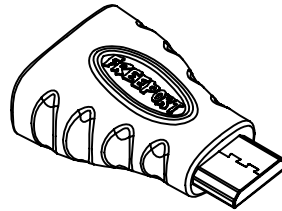
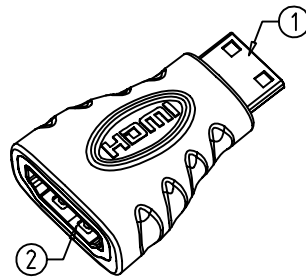
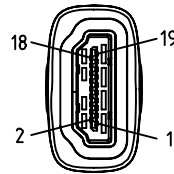


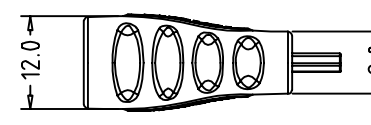
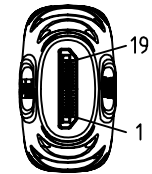
PIN ASSIGNMENT:

HDMI 19/F	MINI HDMI 19/M
3	3 TMDS data2-
1	2 TMDS data2+
2	1 TMDS data2 Shield
6	6 TMDS data1-
4	5 TMDS data1+
5	4 TMDS data1 Shield
9	9 TMDS data0-
7	8 TMDS data0+
8	7 TMDS data0 Shield
12	12 TMDS Clock-
10	11 TMDS Clock+
11	10 TMDS Clock Shield
17	13 DDC/CEC Ground
13	14 CEC
15	15 SCL
16	16 SDA
14	17 Reserved
18	18 +5V Power
19	19 Hot Plug Detect
SHELL	SHELL

HDMI 19/F



MINI HDMI 19/M



ELECTRICAL CHARACTER:

- 100% OPEN&SHORT TESTING
- WITHSTANDING VOLTAGE:DC 300V 0.01Sec
- INSULATION RESISTANCE:10M Ohm(Min)
- CONDUCTIVE RESISTANCE:2 Ohm(Max)

MATERIAL:

- 1)CONN:MINI HDMI 19P/M 30U"/AU BLACK SHELL G/F PLATED
SOLDER TYPE with A(M) TO C(F) PCB
- 2)CONN:HDMI 19P/F 30U"/AU BLACK SHELL G/F PLATED
- 3)INNERMOLD:PE LOW DENSITY
- 4)OVERMOLD:PVC 25Pa BLACK UL94V-0
- 5)OVERMOLD:PVC 70Pa BLACK UL94V-0

The product must be in line with RoHS specification

NET MECHANISM Corp
www.cabling-ol.net

SCALE	NONE		REV	A
UNIT	MM			
SHEET	1/1	DWG NO.		
DATE	05/21/09			
TITLE				
MINI HDMI/M TO HDMI/F				
PART NO.				
ADP-MHM-HF				