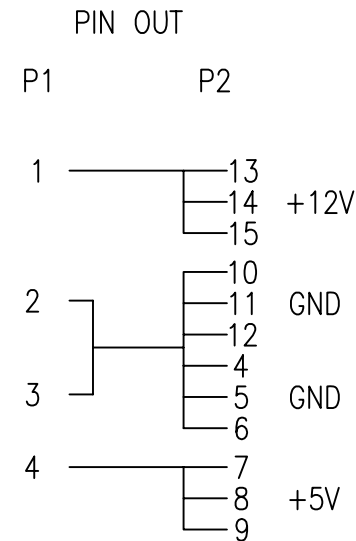


SATA15P



NOTES:

1. SATA15P CONNECTOR.: INSULATION: LCP UL94V-0, COLOR: BLACK, CONTACT: PHOSPHOR BRONZE.
2. POWER 4P MALE INSULATION: NYLON 66 UL94V-0, COLOR: WHITE. CONTACT: BRASS TIN PLATED.
3. HOOD: MOLDED BLACK PVC.

NET MECHANISM Corp www.cabling-ol.net				
SCALE	NONE		REV	A
UNIT	MM			
SHEET	1/1	DWG NO.		
DATE	07/31/08			
TITLE SATA 15P TO 4P POWER ADAPTER				
PART NO. ADP-SATAPW-4M15F				