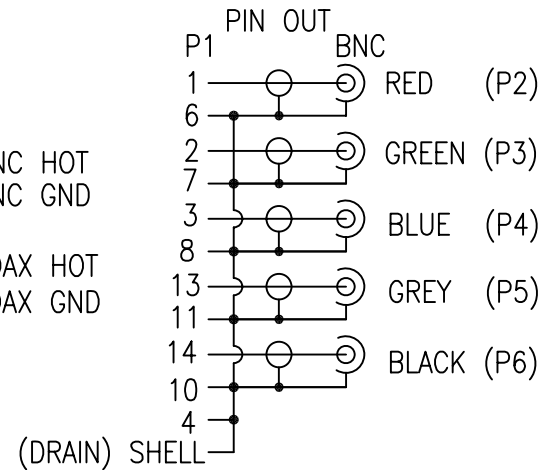
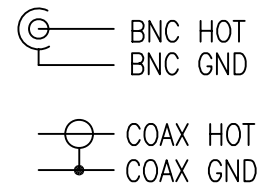
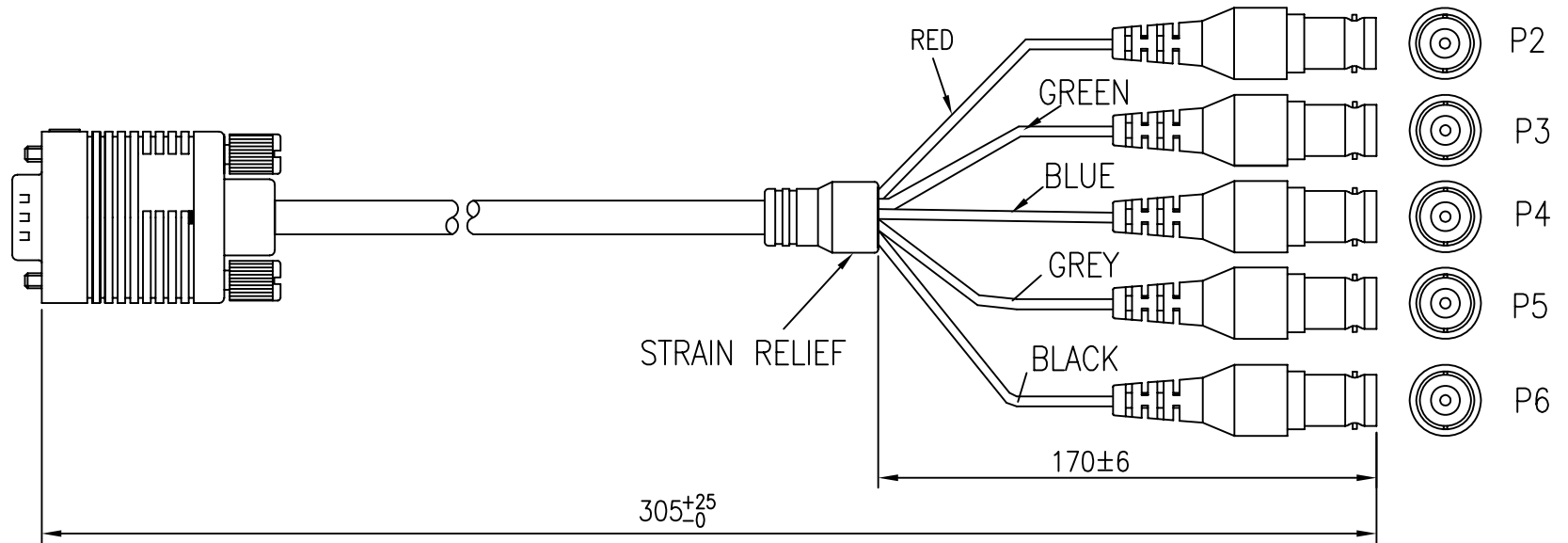


P1



NOTE:

1. CABLE: (28AWG X 5 COAX, EACH COAX SPIRAL SHIELDED, UL1354, COLOR CODE: RED, GREEN, BLUE, GREY, BLACK), AL-FOIL AND BRAID(85%) SHIELDED(A-M ALLOY) WITH DRAIN WIRE(BARE COPPER), UL2919 + CUL IA FT1, BLACK PVC JACKET.  $\phi 9.0 \pm 0.15\text{mm}$
2. CONNECTOR: P1: HIGH DENSITY 15PIN MALE, SOLDER TYPE, GOLD FLASH CONTACTS, BLACK PBT INSULATON, THE 9TH PIN UNLOADED. P2, P3, P4, P5, P6: BNC FEMALE WHITE INSULATON, 75 OHM.
3. THUMB SCREW TO BE MOLDED.
4. P1 SHIELDING: COPPER-FOIL TAPE COVERED PREMOLD AND 360° SOLDER TO CONNECTOR SHELL AND CABLE DRAIN.
5. ALL HOOD & STRAIN RELIEF MOLDED BLACK PVC.
6. PACKING: EACH CABLE IN A ZIP-LOCK POLY-BAG.

NET MECHANISM Corp www.cabling-ol.net				
SCALE	NONE		REV	C
UNIT	MM			
SHEET	1/1	DWG NO.		
DATE	12/21/10			
TITLE		HD15/M TO 5 BNC/F		
PART NO.		ADPC-D15BNC5		