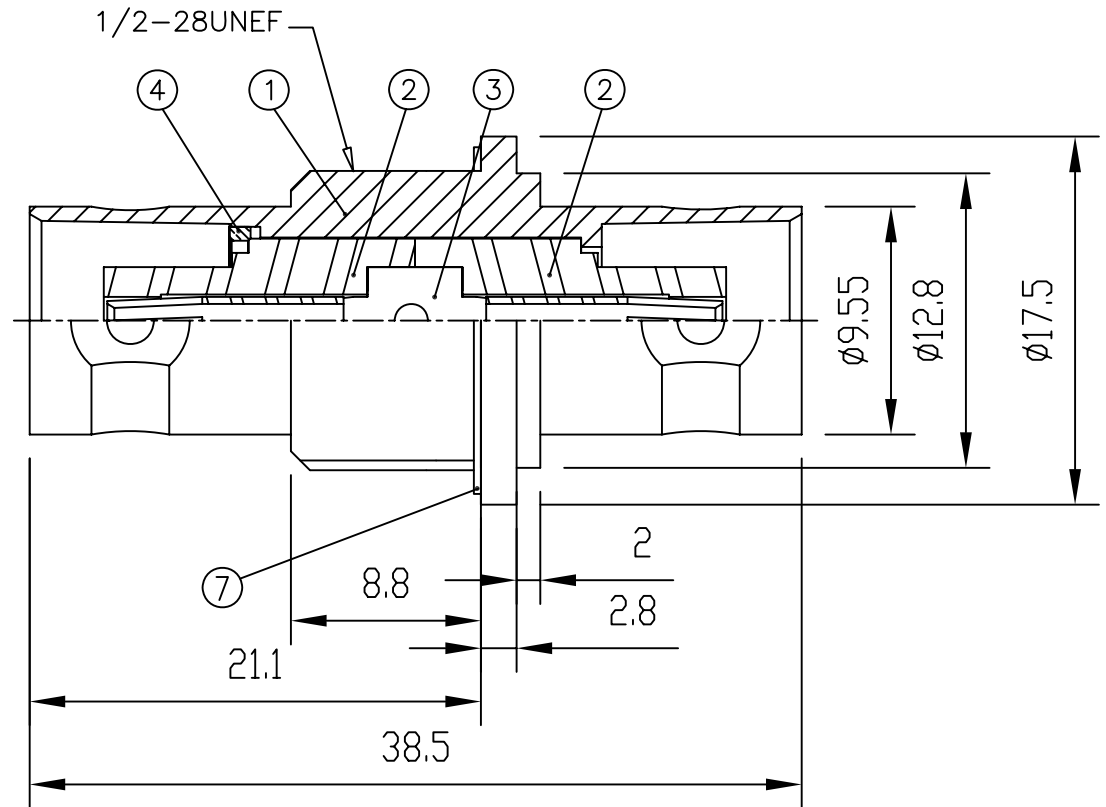


RECOMMENDED
MOUNTING HOLE
(建議架設孔)



1. MAX. PANEL THICKNESS=5.6mm
(最大板厚)

NET MECHANISM Corp				
www.cabling-ol.net				
SCALE	NONE		REV	A
UNIT	MM			
SHEET	1/1	DWG NO.		
DATE				
TITLE				
PART NO.				
BNCF-BNCF-P				