

L(MM)	TOLERANCE(MM)
100~499	+15/-0
500~999	+50/-0
1000~4999	+75/-0
5000~14999	+150/-0
15000~49999	+300/-0

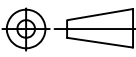
C5E-YYXXX
 ———— LENGTH UNIT FT
 ———— COLOR:BL,GY.

PIN OUT:

P1	PAIRS	P2	WIRE COLOR
1	—○—	1	WHITE/ORANGE
2	—○—	2	ORANGE
3	—○—	3	WHITE/GREEN
6	—○—	6	GREEN
5	—○—	5	WHITE/BLUE
4	—○—	4	BLUE
7	—○—	7	WHITE/BROWN
8	—○—	8	BROWN

NOTE:

- 1.CABLE:UTP CAT.5e CABLE.4P*24AWG(7/0.205)(BARE COPPER.INSULATION:HD-PE.OD:0.98±0.05mm) +OUTER JACKET:PVC,OD:5.6±0.2mm.
- 2.CONN.:P1,P2 8P8C MODULAR,SHORT BODY, DOUBLE LAY,GOLD PLATED 50u”.
- 3.ALL HOOD:MOLDING 60P PVC.
- 4.CABLE ASS'Y MUST PASS CONTINUITY TEST.

NET MECHANISM Corp www.cabling-ol.net				
SCALE	NONE		REV	A
UNIT	MM			
SHEET	1/1	DWG NO.		
DATE	03/16/06			
TITLE		8P8C PLUG/8P8C PLUG		
PART NO.		C5E-YYXXX		