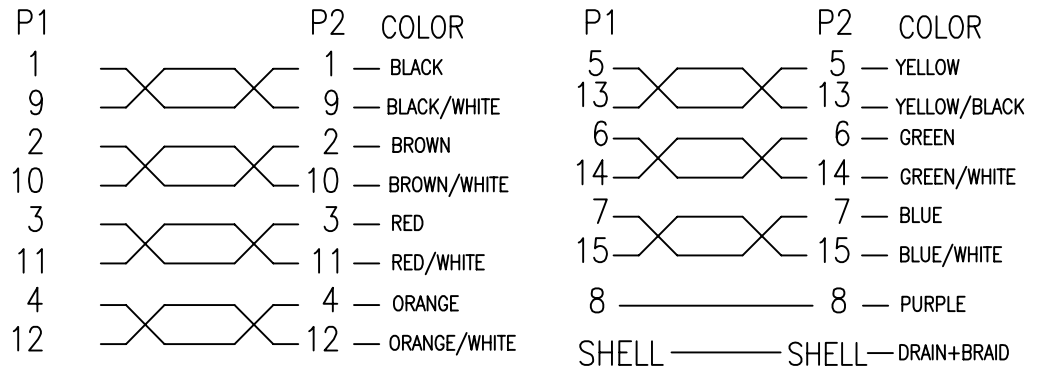


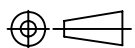
P/N	X(M)	L(MM)	TOLERANCE(MM)
D15SS-M0050-CC	0.5	500	+50/-0
D15SS-M0100-CC	1	1000	+75/-0
D15SS-M0150-CC	1.5	1500	+75/-0
D15SS-M0200-CC	2	2000	+75/-0
D15SS-M0250-CC	2.5	2500	+75/-0
D15SS-M0300-CC	3	3000	+75/-0
D15SS-M0400-CC	4	4000	+75/-0
D15SS-M0500-CC	5	5000	+150/-0
D15SS-M1000-CC	10	10000	+150/-0

PIN OUT:



NOTE:

1. CABLE: UL2464 28AWG X 8P+AL/MY+DRAIN+BRAID, PVC JACKET, COLOR: BEIGE (BG-02),  $\phi 7.0 \pm 0.15$ mm.
2. CONN.: P1, P2: D-SUB 15PIN FEMALE: SOLDER TYPE, BLACK PBT INSULATION, GOLD FLASH CONTACTS, SHELL NICKEL PLATED ON TOP AND TIN PLATED ON BOTTEM.
3.  $\phi 1.0 \times 10$ MM BLACK HEAT SHRINK TUBING.
4.  $\phi 8.0 \times 15$ MM BLACK HEAT SHRINK TUBING.
5.  $\phi 1.5 \times 20$ MM BLACK HEAT SHRINK TUBING.
6. D-SUB 15P HOOD.
7. TESTING: 100% ELECTRICAL TEST.
8. PACKING: EACH CABLE IN A POLY-BAG.

NET MECHANISM Corp				
www.cabling-ol.net				
SCALE	NONE		REV	B
UNIT	MM			
SHEET	1/1	DWG NO.		
DATE	07-10-08			
TITLE		DB15F TO DB15F		
PART NO.		D15SS-MXXXX-CC		