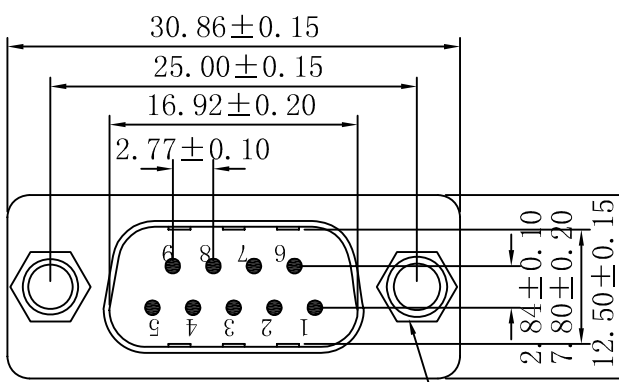
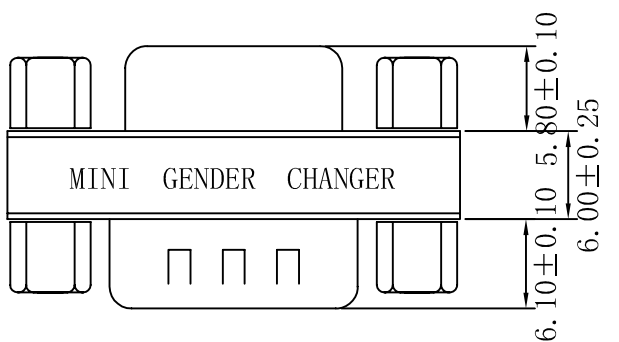


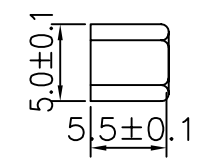
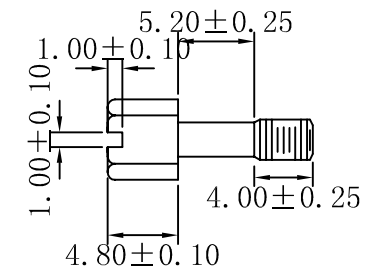
UNC #4-40x3.3mm
(THREAD)



HEXNUTS MUST BE REMOVABLE
#4-40 NUT (X2)

UNC #4-40 Hexscrew

UNC #4-40 Hexnut



DGC 09 M/F GENDER CHANGER

PIN OUT: 9Male 9Female

1	-----	1
2	-----	2
	~~~~~	
8	-----	8
9	-----	9
G	-----	G

Label: yellow color with black character  
One side: MINI GENDER CHANGER

The other side: U.S.A. PATENT 5199906 GENDER CHANGER

SPECIFICATION

INSULATOR: PBT Glass fibre reinforced UL 94 V0

CONTACT: Brass

CONTACT PLATING: Gold plated over nickel

SHELL: Tin plated shell

CURRENT RATING: 3 AMP

DIELECTRIC STRENGTH: 1000V AC for one minute

INSULATOR RESISTANCE: 1000M Ωmin at 500V DC

TEMPERATURE: -55°C --- +105°C

NET MECHANISM Corp www.cabling-ol.net				
SCALE	NONE	⊕	REV	B
UNIT	MM			
SHEET	1/1	DWG NO.		
DATE	02/01/10			
TITLE		DB9M/F ADAPTER		
PART NO.		DG-9MF-440		