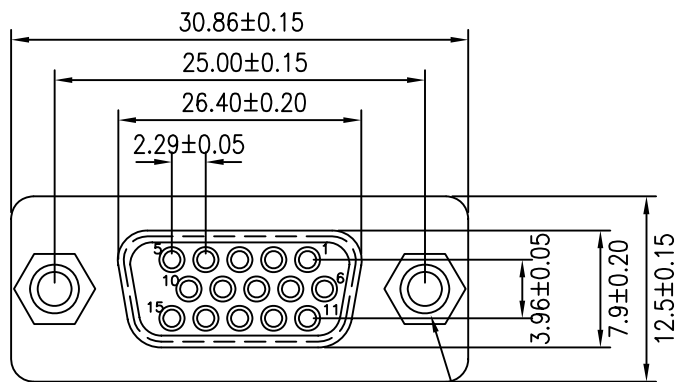
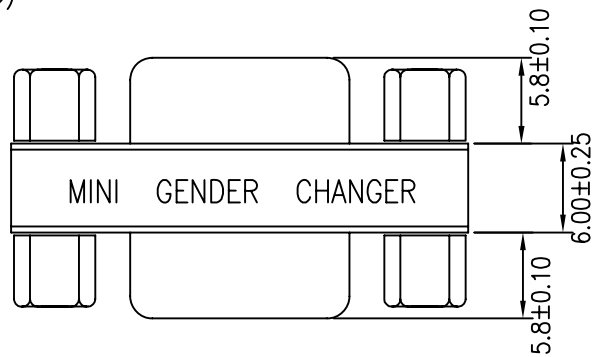


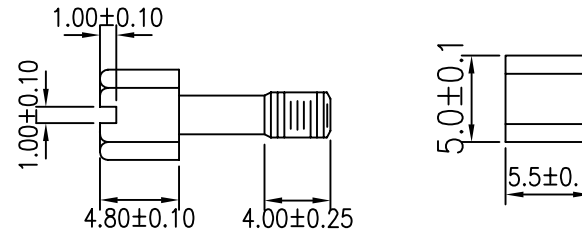
UNC #4-40x3.3mm
(THREAD)



HEXNUTS MUST BE REMOVABLE
#4-40 NUT (X2)

UNC #4-40 Hexscrew

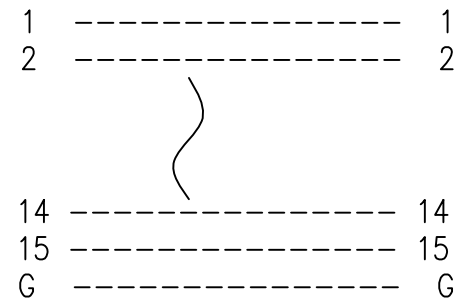
UNC #4-40 Hexnut



HGCF 15 F/F GENDER CHANGER

PIN OUT: 15Female

15Female



Label: yellow color with black character

One side: MINI GENDER CHANGER

The other side: U.S.A. PATENT 5199906 GENDER CHANGER

SPECIFICATION

INSULATOR: PBT Glass fibre reinforced UL 94 VO, BLACK

CONTACT: Brass

CONTACT PLATING: Gold plated over nickel

SHELL: Tin Plated Shell (Nickel Silver)

CURRENT RATING: 3 AMP

DIELECTRIC STRENGTH: 1000V AC for one minute

INSULATOR RESISTANCE: 1000MΩ min at 500V DC

TEMPERATURE: -55°C --- +105°C

NET MECHANISM Corp
www.cabling-ol.net

SCALE	NONE		REV	D
UNIT	MM			
SHEET	1/1	DWG NO.		
DATE	02/01/10			

TITLE
HDB15F/F ADAPTER

PART NO.
DG-H15FF-440