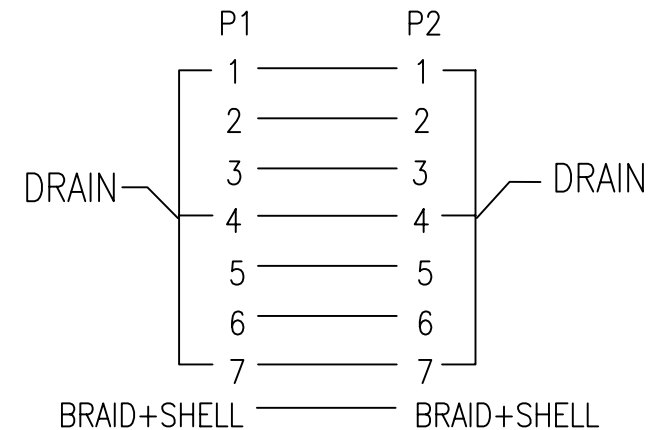


P1 ESATA 7PIN PLUG

P2 ESATA 7PIN PLUG

P/N	X(M)	L(MM)	TOLERANCE(MM)
ESATA-0.5M	0.5	500	+50/-0
ESATA-1M	1	1000	+75/-0
ESATA-2M	2	2000	+75/-0

PIN OUT



NOTES:

1. CABLE: SERIAL ATA CABLE:{26AWG(1/0.404)\*2C+AL.MY+ DRAIN WIRE[28AWG(1/0.32)\*2C]}\*2F+BRAID,OD:3.7\*9.2mm BLUE PVC JACKET.
2. CONNECTOR:P1&P2 :SERIAL ATA 7PIN PLUG,CRIMPING TYPE, GOLD PLATED CONTACTS,ADD SHELL.
3. HOOD: MOLDED BLACK PVC.
- 4.ELECTRICAL PROPERTIES:
  - (1).IT SHALL HAVE NOT ANY OPEN/SHORT,MISWIRING AND INTERMITTENT.
  - (2).THE CABLE SHALL BE 100% ELECTRICAL TEST.
  - (3).INSULATION RESISTANCE:100M OHM MIN.
  - (4).CONDUCTANCE RESISTANCE:2 OHM MAX.
  - (5).HI-POT TEST:DC 300 MIN.

NET MECHANISM Corp www.cabling-ol.net				
SCALE	NONE		REV	A
UNIT	MM			
SHEET	1/1	DWG NO.		
DATE	09/17/05			
TITLE ESATA 7M TO ESATA 7M				
PART NO. ESATA-XM				