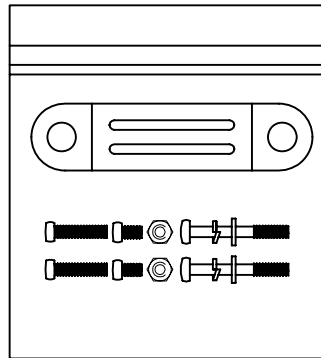
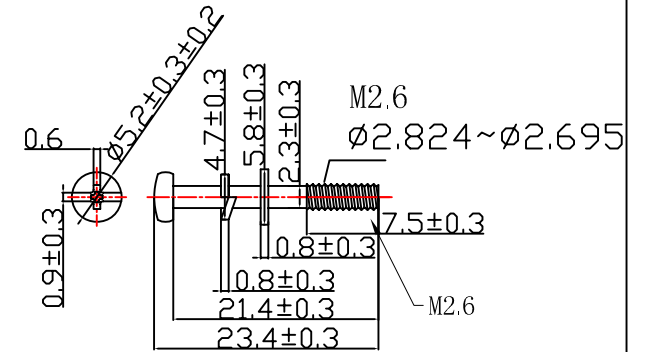
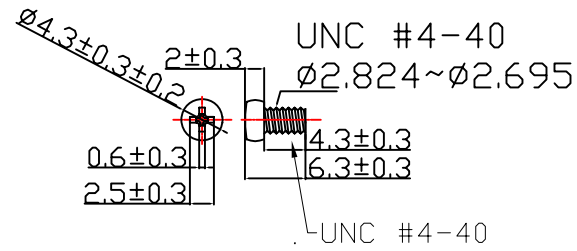
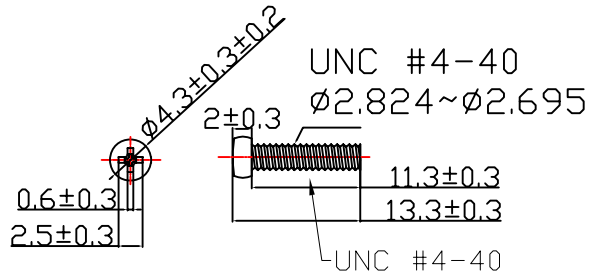
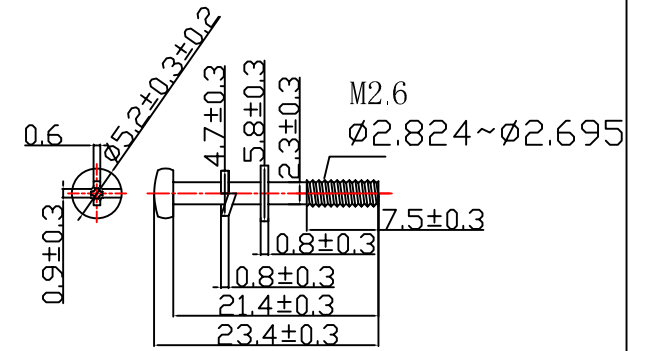
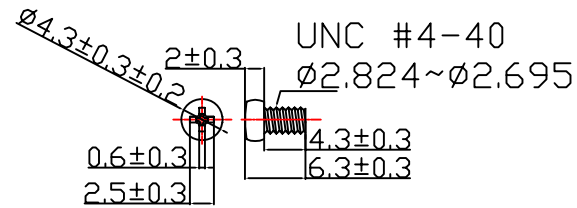
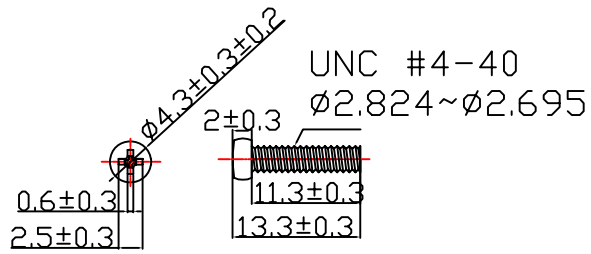
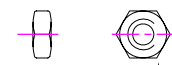
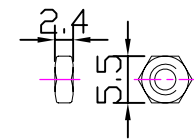
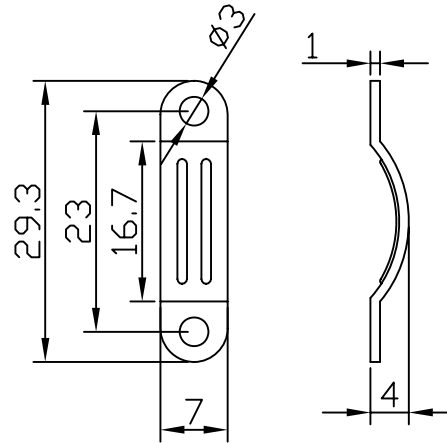


NET MECHANISM Corp				
www.cabling-ol.net				
SCALE	NONE		REV	A
UNIT	MM			
SHEET	1/1	DWG NO.		
DATE	07/01/08	TITLE		
		DB25P HOOD		
PART NO.	HOOD-DB25P-M26			

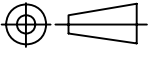


T-ZP-2-3-6C

PACKING: EACH SET IN A POLY-BAG



UNC #4-40

NET MECHANISM Corp www.cabling-ol.net				
SCALE	NONE		REV	A
UNIT	MM			
SHEET	1/1	DWG NO.		
DATE	07/01/08			
TITLE				
DB25P HOOD				
PART NO.				
HOOD-DB25P-M26				