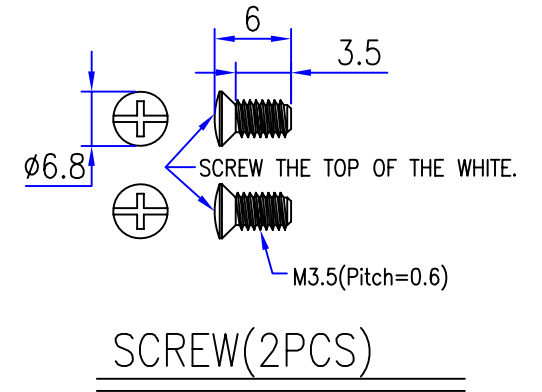
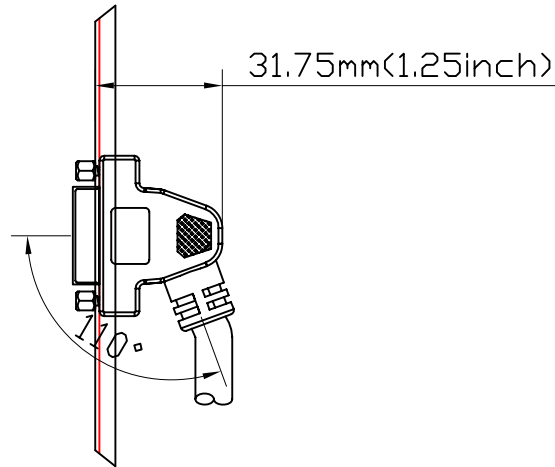
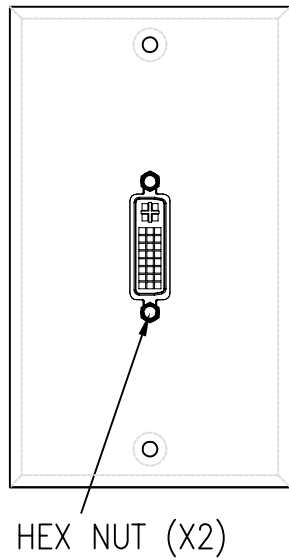
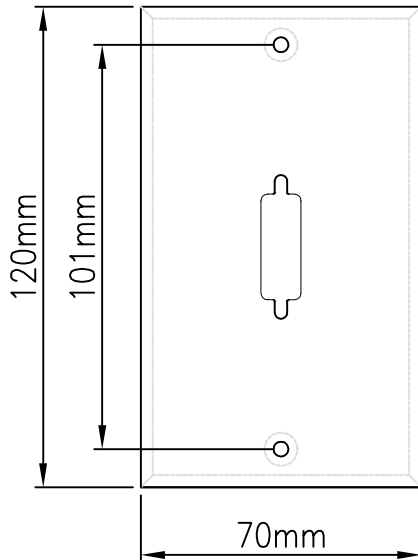


DVIF 1PORT FACE PLATE(P/N:JPFP-DVIF)

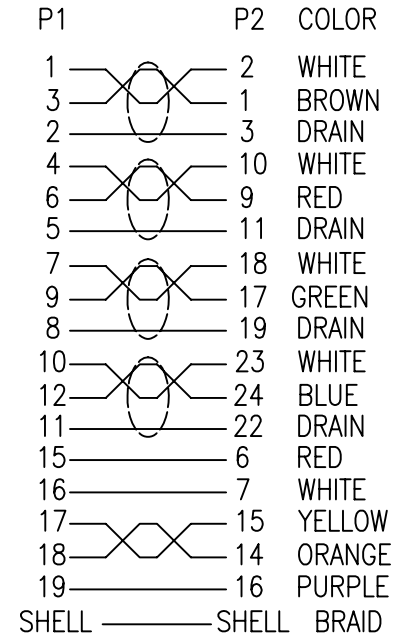


NET MECHANISM Corp				
www.cabling-ol.net				
SCALE	NONE		REV	C
UNIT	MM			
SHEET	1/2	DWG NO.		
DATE	04/23/09			
TITLE				
DIN19M TO DVI24+5 F+FACE PLATE				
PART NO.				
HWADC-DVID-130				

NOTE:

1. CABLE: UL20276 HDMI 1.3 CABLE, (28#*1P+D+MYLAR+AL)*4C+28#*1P+28#*5C
+AB JACKET: BLACK OD:6.5MM.
2. CONNECTOR: P1: DIN 19P MALE, SOLDER TYPE, TINNED PLATED CONTACTS,
INSULATION: BLACK, NICKEL PLATED SHELL, LOCKER TYPE.
P2: DVI 24+5 FEMALE, PIN: G/F, INSULATION WHITE, NICKEL PLATED SHELL.
WITH METAL HEX NUT.
3. JAPAN METAL FACE PLATE: 1PORT, STAINLESS STEEL, WHITE PAINTED.
WITH 2PCS METAL SCREWS.
4. SHIELDED: COPPER FOIL TAPE COVER PREMOLD AND 360° SOLDER TO
CONNECTOR SHELL AND CABLE BRAID.
5. MOLDED 45P BLACK PVC.
6. TESTING: 100% ELECTRICAL TEST .
7. MOLD P/N: D14M-N01, D14M-02, DVIF-110-01, DVIF-110-N01

WIRE CONNECTION



NET MECHANISM Corp www.cabling-ol.net				
SCALE	NONE		REV	C
UNIT	MM			
SHEET	2/2	DWG NO.		
DATE	04/23/09			
TITLE DIN19M TO DVI24+5 F+FACE PLATE				
PART NO. HWADC-DVID-130				