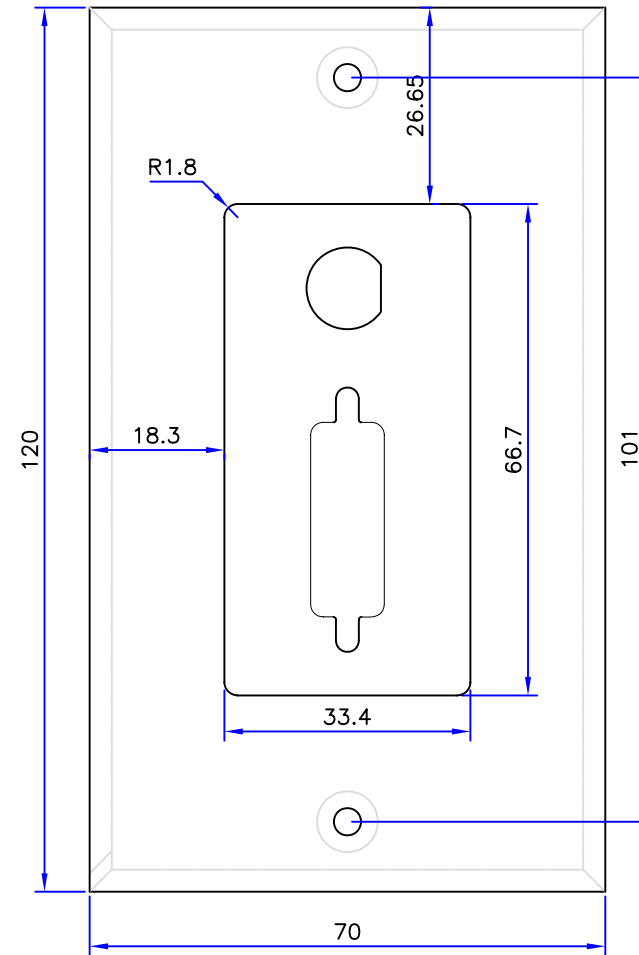


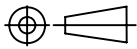
Punch size drawing



Silkscreen size drawing

Specification:

1. 120 JP type wall plate
2. Material: stainless steel, Thickness=0.8MM
3. Coating: white
4. Decora frame silkscreen: black

NET MECHANISM Corp				
www.cabling-ol.net				
SCALE	NONE		REV	A
UNIT	MM			
SHEET	1/1	DWG NO.		
DATE	10/27/08			
TITLE				
DVIF+3.5F JAPAN TYPE METAL FACE PLATE				
PART NO.				
JPFP-DVIF-35F				