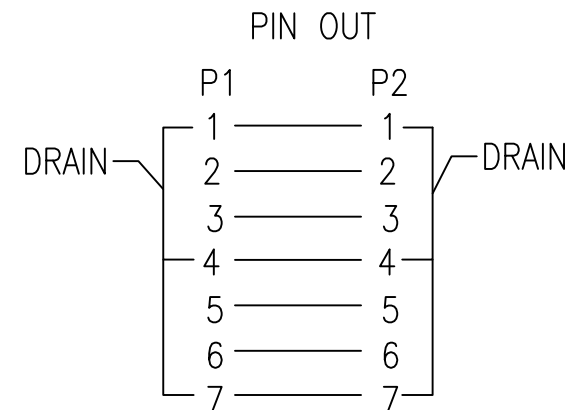


P/N	XX(INCH)	L(MM)	TOLERANCE(MM)
LSATA-STST-18	18	457	+25/-0
LSATA-STST-36	36	914	+50/-0



NOTES:

1. CABLE: SERIAL ATA CABLE:{26AWG(1/0.404)*2C+AL.MY+ DRAIN WIRE[28AWG(1/0.32)*2C]}*2F,OD:2.3*8.30mm RED PVC JACKET.
2. CONNECTOR: P1&P2 :SERIAL ATA 7PIN PLUG,CRIMPING TYPE,WITH LATCH. GOLD PLATED CONTACTS.
3. HOOD: MOLDED BLACK PVC.
- 4.Each Cable Must Tested Open Short and Miswires
- 5.Electronic:
 - 5.1 Conductor Resistance: 3 Ohm Max
 - 5.2 Insulation Resistance: 10M Ohm Min.At DC:300V/10MS

NET MECHANISM Corp www.cabling-ol.net				
SCALE	NONE		REV	C
UNIT	MM			
SHEET	1/1	DWG NO.		
DATE	11/25/13			
TITLE SATA7P TO SATA 7P 180				
PART NO. LSATA-STST-XX				