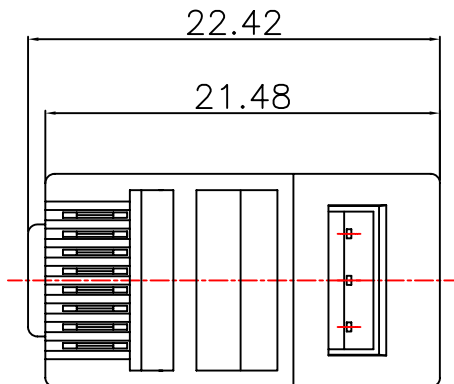
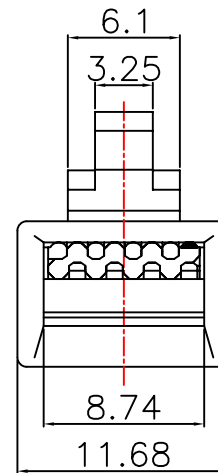
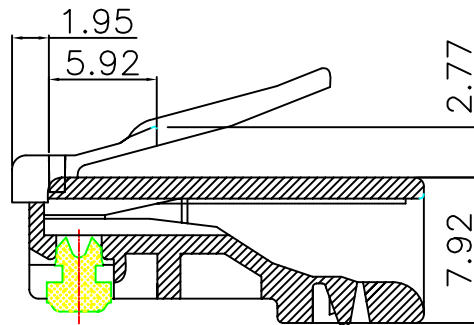
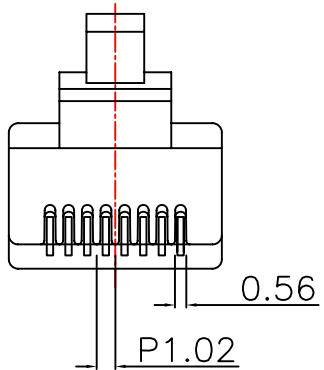
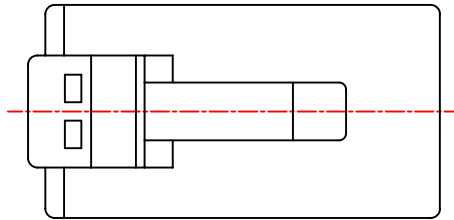
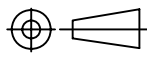


SPECIFICATION MECHANICAL:

- 1.Housing Material:Polycarbonate, UL 94V-2. NO Poison
- 2.Material Contact:6U" Below Brass.
15U" Above Phosphor Bronze.
- 3.Contact area plated gold over 3U"/6U"/15U"/
30U"and 50U",the other area plated gold over FU".
- 4.Contact area plated Nickel over 60U",
the other area plated Nickel over 30U".
- 5.Housing Color:Transparence.
- 6.Operation Temperature:-40°c to 80°c.



NOTE TOL:±0.1

NET MECHANISM Corp www.cabling-ol.net				
SCALE	NONE		REV	A
UNIT	MM			
SHEET	1/1	DWG NO.		
DATE	07/31/08			
TITLE		RJ45 CONNECTOR		
PART NO.		RJ45-C5E-100-05BC		