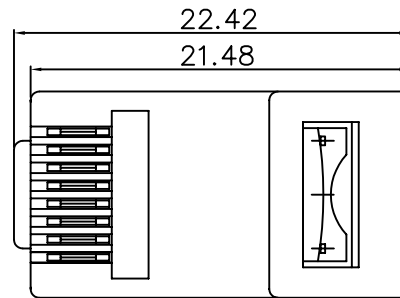
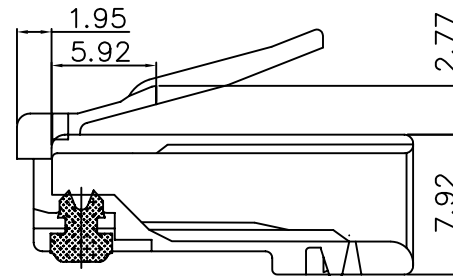
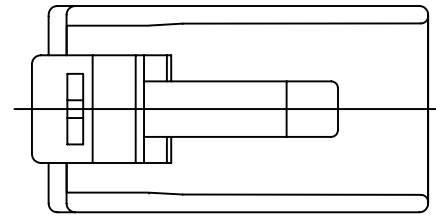


[Wire-Fixer]

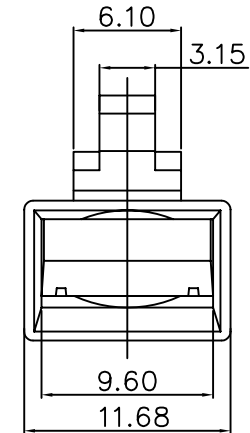


Housing

## SPECIFICATION MECHANICAL:

- 1.Housing Material:Polycarbonate, UL 94V-2.
- 2.Material Contact:Phosphor Bronze.
- 3.Housing Color:Transparence.
- 4.Operation Temperature:-40°C to 80°C.
- 5.Cable to Tensile Strength:7.7Kgs

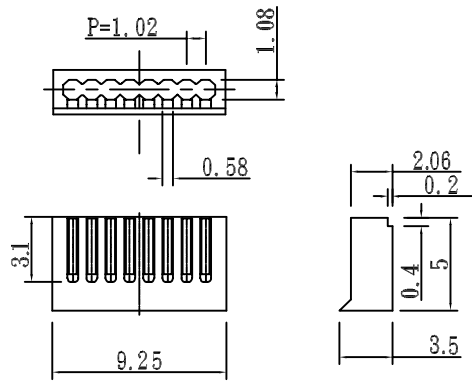
NO Poison



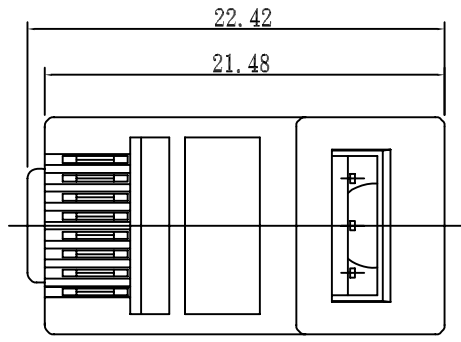
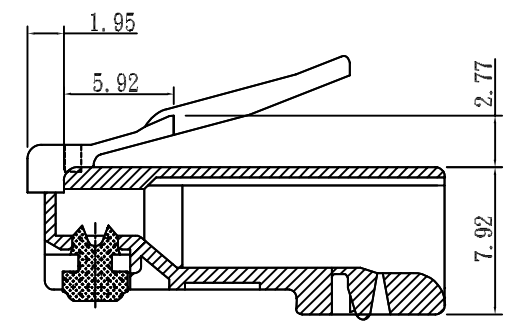
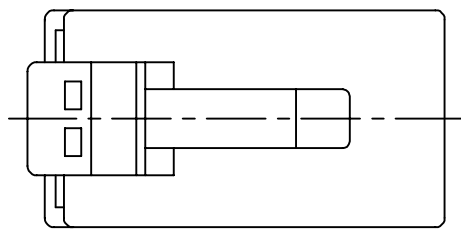
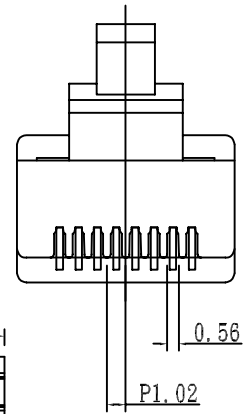
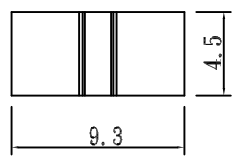
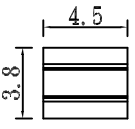
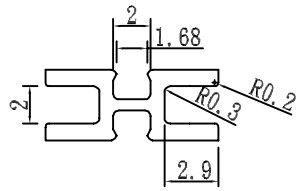
NOTE TOL: ±0.1

NET MECHANISM Corp  
www.cabling-ol.net

SCALE	NONE		REV	A
UNIT	MM			
SHEET	1/1	DWG NO.		
DATE	05/05/06	TITLE		
		RJ45 CONNECTOR		
PART NO.	RJ45-C6-100			



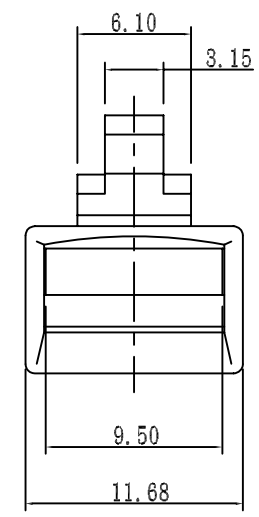
Insert



Housing

SPECIFICATION  
MECHANICAL:

- 1.Housing Material:Polycarbonate, UL 94V-2.  
NO Poison
- 2.Material Contact:Phosphor Bronze.
- 3.Housing Color: Transparence.
- 4.Operation Temperature:-40c to 80c.
- 5.Cable to Tensile Strength:7.7Kgs



NOTE TOL:±0.1

NET MECHANISM Corp				
www.cabling-ol.net				
SCALE	NONE	⊕	REV	A
UNIT	MM			
SHEET	1/1	DWG NO.		
DATE	06/25/09	TITLE		
		RJ45 CONNECTOR		
PART NO.		RJ45-C6T-100		