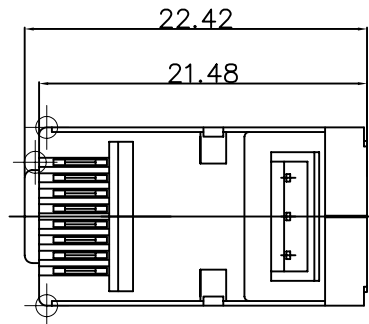
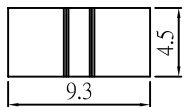
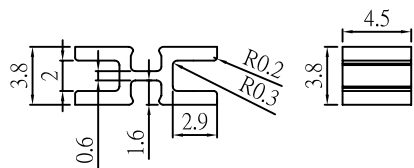
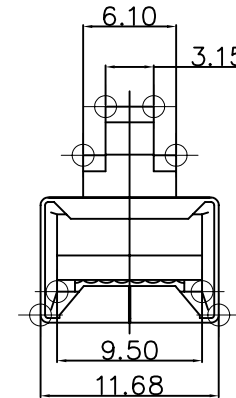
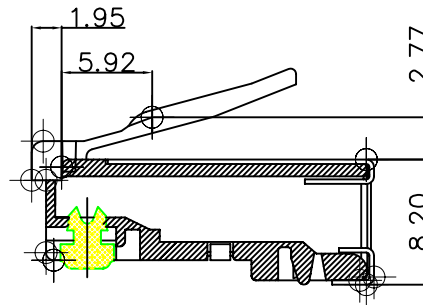
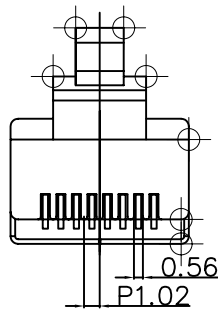


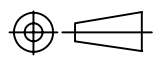
SPECIFICATION

MECHANICAL:

- 1.Housing Material:Polycarbonate, UL 94V-2.
NO Poison
- 2.Material Contact:Phosphor Bronze.
- 3.Housing Color:Transparence.
- 4.Operation Temperature:-40c to 80c.
- 5.Cable to Tensile Strength:7.7Kgs



NOTE TOL: ±0.1

NET MECHANISM Corp www.cabling-ol.net				
SCALE	NONE		REV	A
UNIT	MM			
SHEET	1/1	DWG NO.		
DATE	05/05/06			
TITLE		RJ45 CONNECTOR		
PART NO.		RJ45-C6S-100		