

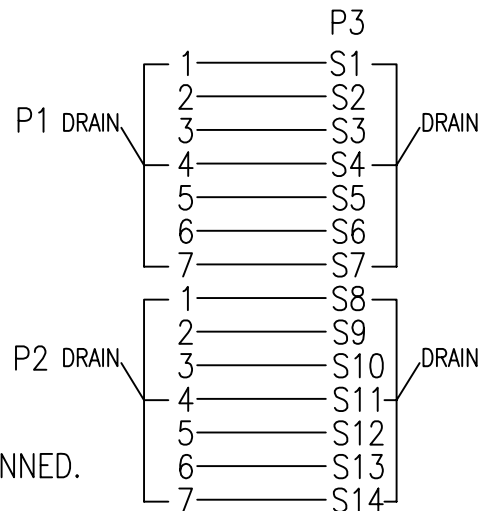
NOTES:

- CABLE: SERIAL ATA CABLE: {26AWG(1/0.404)*2C+AL.MY+ DRAIN WIRE[28AWG(1/0.32)*2C]}*2F, OD:2.3*8.30mm RED PVC JACKET.
- CABLE: UL 1007 18AWG COLOR:BLACK;RED;YELLOW.
- P1&P2: SERIAL ATA 7PIN PLUG, CRIMPING TYPE, GOLD PLATED CONTACTS.
- P3: SAS 29PIN FEMALE, SOLDER TYPE, GOLD PLATED CONTACTS.
- P4: HOUSING: HSG-BIG4PM-01, WHITE; TER: TE-BIG4PM-01, TINNED.
- ALL HOOD MOLDING PVC 45P BLACK.
- MOLD NO.: P1:SATA-03.

CHART:

P/N	L(FT)	T(INCH)
SAS29F-DLSATA-PW-12	12	±1
SAS29F-DLSATA-PW-24	24	±1

PIN OUT 1



PIN OUT 2

P3	P1	P2	P3	P4	P5	P6	P7	P8	P9	P10	P11	P12	P13	P14	P15
P4	---	---	3	4	2	1									
COLOR	---	---	BLACK	RED	BLACK	YELLOW									

NET MECHANISM Corp www.cabling-ol.net			
SCALE	NONE		REV B
UNIT	MM		
SHEET	1/1	DWG NO.	
DATE	02/14/11		
TITLE 2SATA 7P/M TO SAS 29P/F+BIG 4P HSG			
PART NO. SAS29F-DLSATA-PW-XX			