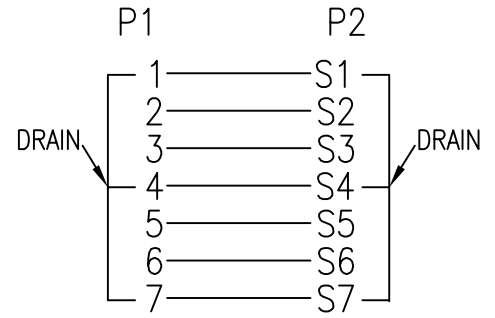


PIN OUT 1



PIN OUT 2

P2	P1	P2	P3	P4	P5	P6	P7	P8	P9	P10	P11	P12	P13	P14	P15
P3	---	---	3	---	---	---	4	---	---	2	---	---	---	---	1
COLOR	---	---	BLACK	---	---	---	RED	---	---	BLACK	---	---	---	---	YELLOW

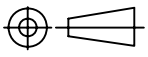
NOTES:

- CABLE: SERIAL ATA CABLE:{26AWG(1/0.404)*2C+AL.MY+DRAIN WIRE[28AWG(1/0.32)*2C]}*2F,OD:2.3*8.30mm RED PVC JACKET.
- CABLE: UL 1007 18AWG COLOR:BLACK;RED;YELLOW.
- P1: SERIAL ATA 7PIN PLUG,CRIMPING TYPE,GOLD PLATED CONTACTS.
- P2: SAS 29PIN FEMALE,SOLDER TYPE,GOLD PLATED CONTACTS.
- P3: HOUSING: HSG-BIG4PM-01, WHITE; TER: TE-BIG4PM-01, TINNED.
- ALL HOOD MOLDING PVC 45P BLACK.
- MOLD NO.: P1:SATA-03.

CHART:

P/N	L(INCH)	T(INCH)
SAS29F-SATA-PW-12	12	+0.6/-0
SAS29F-SATA-PW-24	24	+1.97/-0

NET MECHANISM Corp
www.cabling-ol.net

SCALE	NONE		REV	B
UNIT	MM			
SHEET	1/1	DWG NO.		
DATE	02/14/11			
TITLE SATA 7P/M TO SAS 29P/F+BIG 4P HSG				
PART NO. SAS29F-SATA-PW-XX				