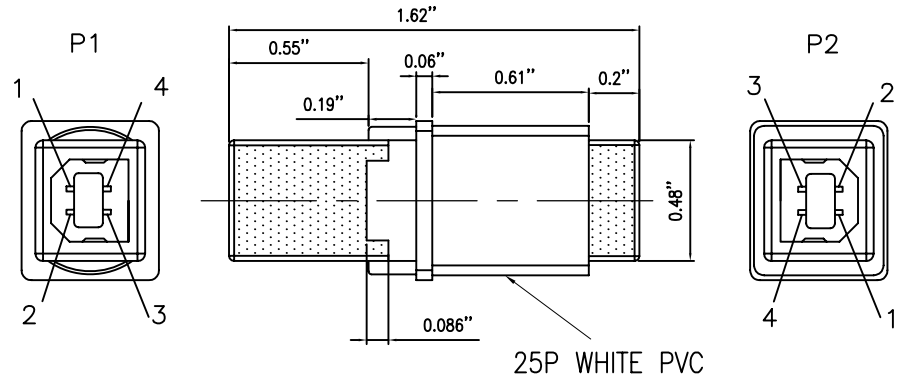
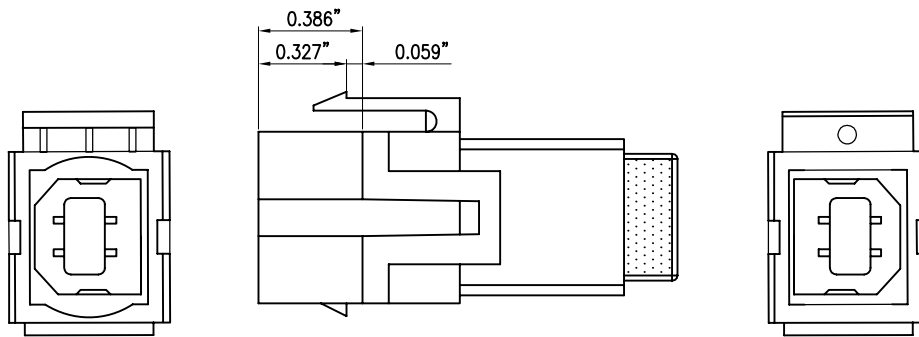


MODULE DRAWING(UNIT:INCH)



USB BF/BF ADAPTER(UNIT:INCH)



ASSEMBLY DRAWING

WIRE LIST

B Female		B Female
1	_____	1
2	_____	2
3	_____	3
4	_____	4
SHELL	_____	SHELL

NOTES:

1. MODULE:MATERIAL:PC+ABS, WHITE.
2. ADAPTOR:USB BF/BF ADAPTER,INSULATION:WHITE;NICKEL PLATED SHELL.
3. MOLDING 25P WHITE(WH-05) PVC.
4. MOLD:USB-BF03,071-01(071D ELLIPSE TYPE).

NET MECHANISM Corp www.cabling-ol.net				
SCALE	NONE		REV	A
UNIT	INCH			
SHEET	1/1	DWG NO.		
DATE	10/24/08			
TITLE USB BF/BF MODULE				
PART NO. SIM-USBB-WH				