

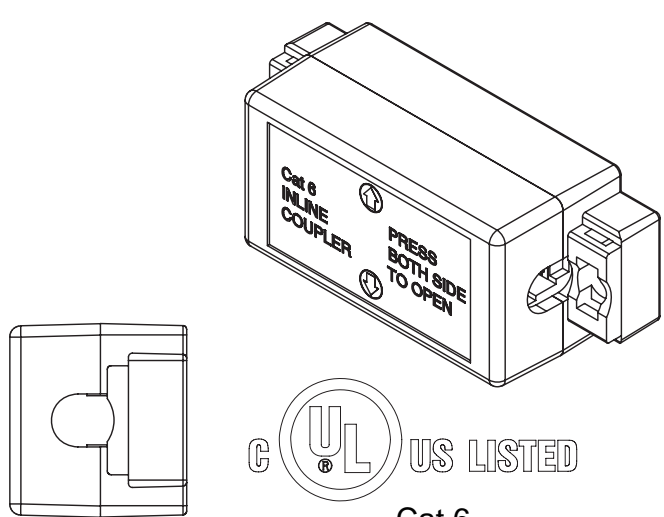
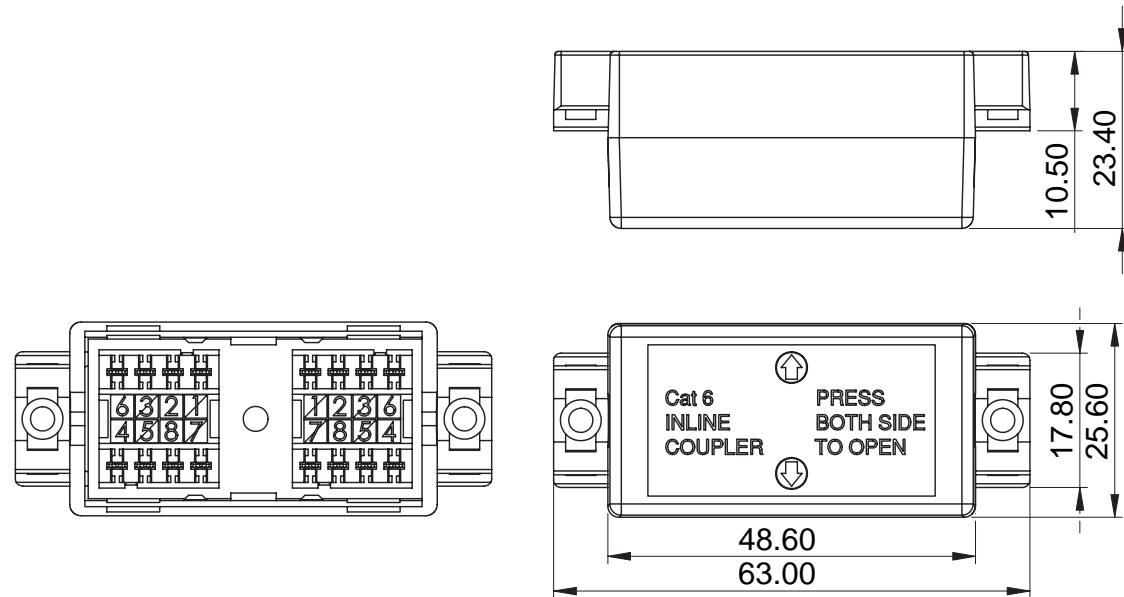
1 2 3 4 5 6

A

B

C

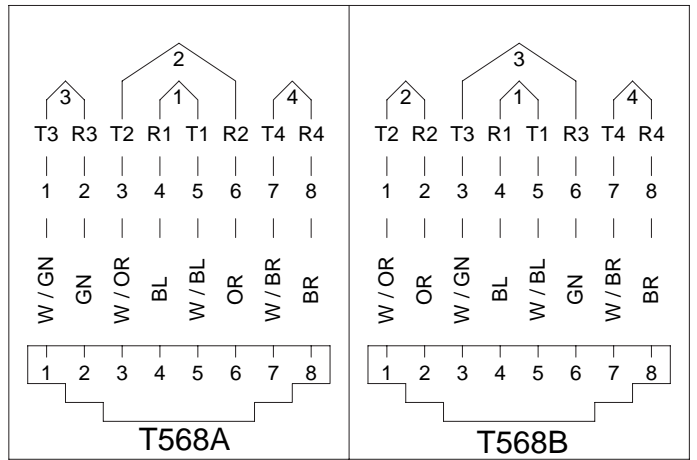
D



UL US LISTED
Cat 6
UL CERTIFIED
FILE NO.E160607
ACCORDING TO TIA/EIA-568-B.2-1
REQUIREMENTS

Physical Specification

Plastic housing : ABS high-impact UL94V-0 thermoplastic
 IDC housing : Polycarbonate resin high-impact UL94V-0 thermoplastic
 IDC contact : Phosphor Bronze C5191R-H, t=0.4mm, 100u" Tin over 50u" Nickel undercoat
 Insertion Life : 750 mating cycles with FCC compliant RJ-45 plug
 Contact force : 100 grams MIN. with FCC compliant RJ-45 plug
 Plug retention force : 11 lbf min.
 Durability : 200 termination cycles
 Contact compatibility : Accommodates 22 to 26AWG solid / 24AWG stranded
 Operating Temperature Range : -10°C to 60°C
 Storage Temperature Range : -40°C to 68°C
 Humidity : 10% ~ 90%RH



Electrical

Insulation resistance: 500 MΩ
 Dielectric withstanding voltage: 1000 V
 DC current rating: 1.5 Amps
 DC resistance: 0.1Ω
 Contact resistance: 20mΩ

Enclosure

Nylon Cable tie X 2 PC
 Screw X 2 PCS (K2)
 Twin Adhesive X 1 PC (40X20mm)

RoHS Compliant

TOLERANCE				
~20	~50	~150	150~	ANGLE
±0.20	±0.40	±0.50	±1.50	±2°

Scale	1:1	ALL COPY RIGHTS RESERVED	
3rd Angle Projection		NET MECHANISM Corp www.cabling-ol.net	
Unit	mm	Title SMBX-C6-1	
Material		Drawn by Jessica Lee	Checked by
Color			
Date	2006/8/18		

1 2