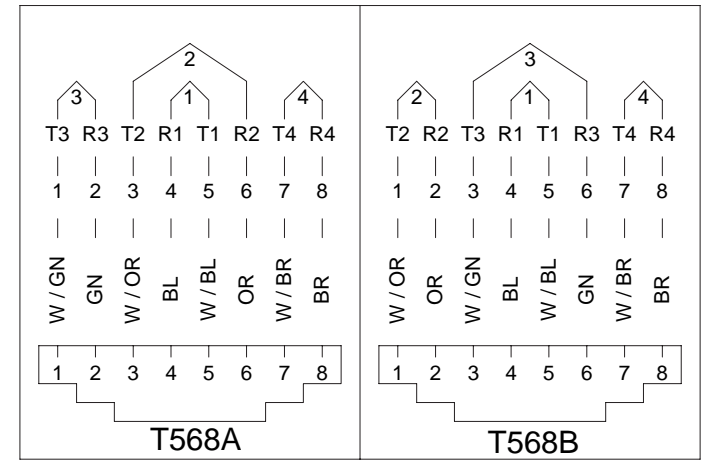


**Cat 6
UL CERTIFIED
FILE NO.E160607
ACCORDING TO TIA/EIA-568-B.2-1
REQUIREMENTS**

Physical Specification

- Plastic housing : ABS high-impact UL94V-0 thermoplastic
- IDC housing : Polycarbonate resin high-impact UL94V-0 thermoplastic
- IDC contact : Phosphor Bronze C5191R-H, t=0.4mm, 100u" Tin over 50u" Nickel undercoat
- Insertion Life : 750 mating cycles with FCC compliant RJ-45 plug
- Contact force : 100 grams MIN. with FCC compliant RJ-45 plug
- Plug retention force : 11 lbf min.
- Durability : 200 termination cycles
- Contact compatibility : Accommodates 22 to 26AWG solid / 24AWG stranded
- Operating Temperature Range : -10°C to 60°C
- Storage Temperature Range : -40°C to 68°C
- Humidity : 10% ~ 90%RH



Electrical

- Insulation resistance: 500 MΩ
- Dielectric withstanding voltage: 1000 V
- DC current rating: 1.5 Amps
- DC resistance: 0.1Ω
- Contact resistance: 20mΩ

Enclosure

- Nylon Cable tie X 2 PC
- Screw X 2 PCS (K2)
- Twin Adhesive X 1 PC (40X20mm)
- RoHS Compliant

TOLERANCE				
~20	~50	~150	150~	ANGLE
±0.20	±0.40	±0.50	±1.50	±2°

Scale	1:1	ALL COPY RIGHTS RESERVED	
3rd Angle Projection		NET MECHANISM Corp www.cabling-ol.net	
Unit	mm	Title SMBX-C6-1S	
Material		Drawn by Jessica Lee	Checked by
Color			
Date	2006/8/18		