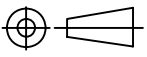


NOTE:

- CABLE: UL2725 USB 2.0 REV CABLE.(28AWG*1PAIR+ 20AWG*2C),AL-FOIL AND BRAID SHIELDED(A-MALLOY) WITH A DRAIN WIRE(BARE COPPER),PVC JACKET BLACK OD:4.8±0.15MM.
- CONNECTOR:P1:USB B TYPE MALE,WHITE PBT INSULATIPON, GOLD PLATED CONTACTS, NICKEL PLATED SHELL. P2:USB B TYPE FEMALE,SOLDER TYPE,WHITE PBT INSULATION, NICKEL PLATED SHELL.
- NUT:M3.0 $\phi 5.5 \times 2.4 \text{MM}$ NICKEL PLATED
- HOOD: P1:MOLDED 45P BLACK PVC,P2:MOLDED 25P BLACK PVC.
- MOLD NO.: USB-BM01,USB-BF04,USB-BF04N.
- CABLE ASS'Y MUST PASS CONTINUITY TEST.

NET MECHANISM Corp				
www.cabling-ol.net				
SCALE	NONE		REV	B
UNIT	MM			
SHEET	1/1	DWG NO.		
DATE	12/21/10			
TITLE	USB B M TO USB B F			
PART NO.	USB2-BMPBF-XX			