

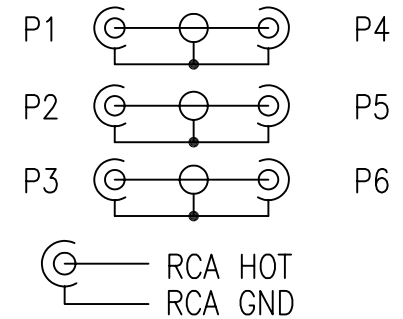
NOTE:

1. [1C*26AWG(7/0.16)+AL/MY+SPIRAL+PVC JACKET BLACK]*3F
OD=6.0*6.0*6.0±0.15MM(IMPEDANCE:75 OHM)
2. CONNECTOR:P1 & P2 & P3 & P4 & P5 & P6 RCA PLUG,
SHELL GOLD PLATED 3u", INSULATION WHITE.
3. HOOD:MOLD 45P PVC BLACK.
- △ COLOR RING:60P PVC.
5. TESTING:100% ELECTRICAL TESTING.

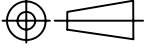
CHART:

P/N	XX(FT)	L(MM)	TOLERANCE(MM)
VD-3RMM-03	03	914	+50/-0
VD-3RMM-06	06	1829	+75/-0
VD-3RMM-12	12	3658	+75/-0
VD-3RMM-17	17	5182	+150/-0
VD-3RMM-25	25	7620	+150/-0
VD-3RMM-33	33	10058	+150/-0
VD-3RMM-50	50	15240	+300/-0

PIN OUT



NET MECHANISM Corp
www.cabling-ol.net

SCALE	NONE		REV	A
UNIT	MM			
SHEET	1/1	DWG NO.		
DATE	08/29/05			
TITLE				
VIDEO CABLE 3RCA TO 3RCA				
PART NO.				
VD-3RMM-XX				