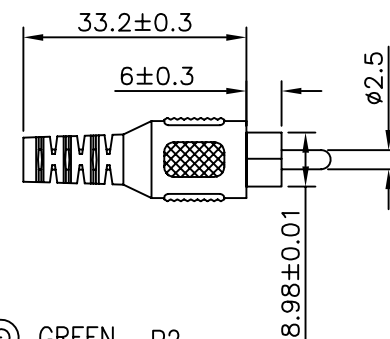
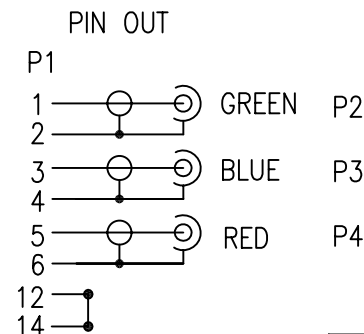
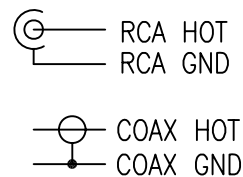


P/N	X(M)	L(MM)	TOLERANCE(MM)
VD-D3RM-01	1	1000	+75/-0
VD-D3RM-02	2	2000	+75/-0
VD-D3RM-03	3	3000	+75/-0
VD-D3RM-05	5	5000	+150/-0
VD-D3RM-10	10	10000	+150/-0
VD-D3RM-15	15	15000	+300/-0
VD-D3RM-20	20	20000	+300/-0
VD-D3RM-30	30	30000	+300/-0

NOTE:

- CABLE: UL2919 28AWG(7/0.127)*3COAX(OFC)+PAPER+JACKET.JACKET COLOR: BLACK MATT PVC AND OD=7.0±0.15MM.
- CONNECTOR: P1: HALF PITCH 14PIN CENTRONICS MALE, PIN:GOLD PLATED,SHELL:GOLD PLATED,SOLDER TYPE,BLACK HOOD,OD:7.5MM. P2,P3,P4:RCA MALE,INSULATION:WHITE,SHELL:GOLD PLATED.
- MOLDING 60P PVC.P2:GREEN,P3:BLUE,P4:RED.
- STRAIN RELIEF MOLDING 45P BLACK PVC.
- PACKING: EACH CABLE IN A ZIP-LOCK POLY-BAG.



NET MECHANISM Corp				
www.cabling-ol.net				
SCALE	NONE		REV	D
UNIT	MM			
SHEET	1/1	DWG NO.		
DATE	09/29/08	TITLE		
		HPCN14M TO RCAM*3		
PART NO.		VD-D3RM-XX		