

NOTE:

1. 1C*26AWG(7/0.16)+AL/MY+SPIRAL+PVC JACKET BLACK
OD=6.0±0.15MM(IMPEDANCE:75 OHM).
2. CONNECTOR:P1 & P2 RCA PLUG,SHELL GOLD PLATED 3u",
INSULATION WHITE.
3. HOOD:MOLDED 45PVC BLACK.
4. COLOR RING:60P PVC.
5. TESTING:100% ELECTRICAL TESTING.

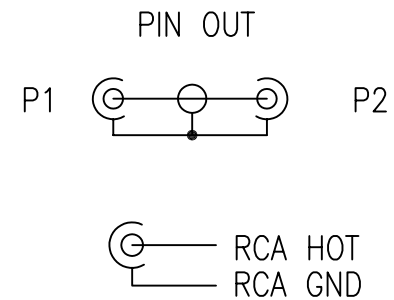


CHART:

P/N	XX(FT)	L(MM)	TOLERANCE(MM)
VD-RMRM-03	03	914	+50/-0
VD-RMRM-10	06	1829	+75/-0
VD-RMRM-12	12	3658	+75/-0
VD-RMRM-17	17	5182	+150/-0
VD-RMRM-25	25	7620	+150/-0
VD-RMRM-33	33	10058	+150/-0
VD-RMRM-50	50	15240	+300/-0

NET MECHANISM Corp www.cabling-ol.net				
SCALE	NONE		REV	A
UNIT	MM		DWG NO.	
SHEET	1/1	DATE		08/29/05
TITLE VIDEO CABLE RCA TO RCA				
PART NO. VD-RMRM-XX				