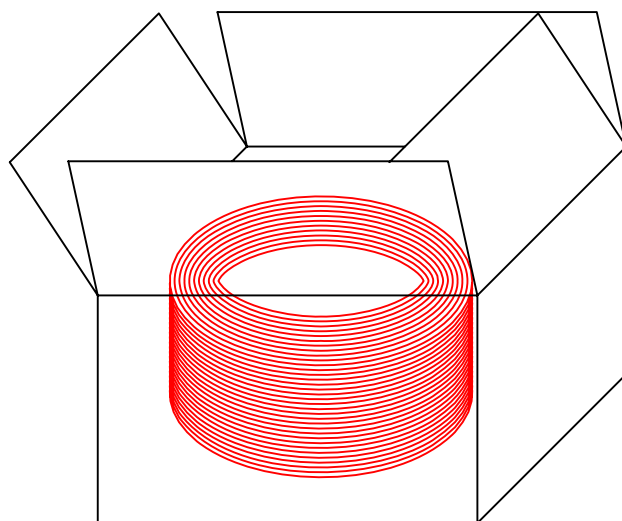


CABLE:FTP CAT.5E CABLE.4P*24AWG(7/0.203)(BARE COPPER.INSULATION:HD-PE,OD:0.99±0.05mm)
 +BLUE OUTER JACKET:PVC,OD:5.9±0.2mm.
 (TNT P/N:06F-R4P-T24-SH-BL)



Putting two reels in one box.



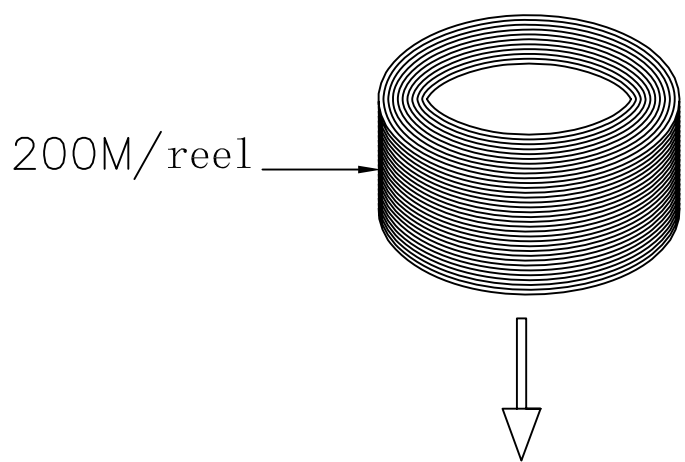
Note:

The cable is with modular(05C) in one end, and without modular in another end

NOTE:

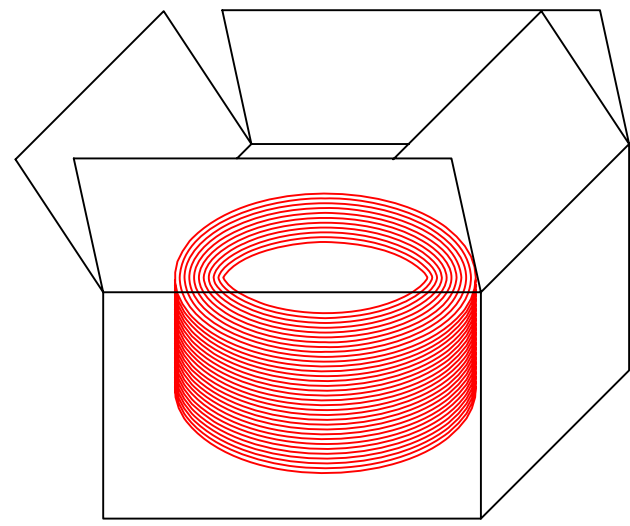
- 1)One reel is 100M,putting two reels in one box.
- 2)One reel is connective.
 (box dimension:380*380*280MM).
- 3)The two reels are put into a big waterproof bag,
 and then put them into the box(T-BLK-35-47-8C).

NET MECHANISM Corp www.cabling-ol.net				
SCALE	NONE		REV	A
UNIT	MM			
SHEET	1/1	DWG NO.		
DATE	10/15/10			
TITLE	CAT.5E FTP 100M/reel			
PART NO.	BC-C5ESY-BL100			



CABLE:FTP CAT.5E CABLE.4P*24AWG(7/0.203)(BARE COPPER.INSULATION:HD-PE.OD:0.99±0.05mm)
 +BLUE OUTER JACKET:PVC,OD:5.9±0.2mm.
 (TNT P/N:06F-R4P-T24-SH-BL)

Putting two reels in one box.

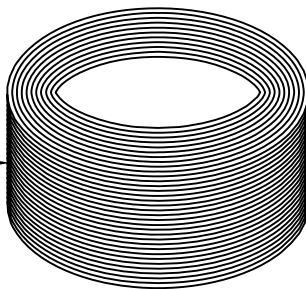


Note:
 The cable is with modular(05C) in one end, and without modular in another end

NOTE:
 1)One reel is 200M,putting two reels in one box.
 2)One reel is connective.
 (box dimension:380*380*280MM).
 3)The two reels are put into a big waterproof bag,
 and then put them into the box(T-BLK-35-47-8C).

NET MECHANISM Corp www.cabling-ol.net				
SCALE	NONE		REV	A
UNIT	MM			
SHEET	1/1	DWG NO.		
DATE	10/15/10			
TITLE	CAT. 5E FTP 200M/reel			
PART NO.	BC-C5ESY-BL200			

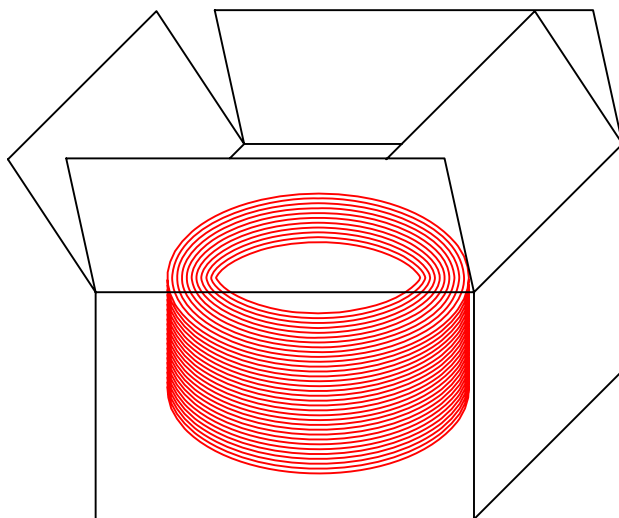
305M/reel



CABLE:FTP CAT.5E CABLE.4P*24AWG(7/0.203)(BARE COPPER.INSULATION:HD-PE.OD:0.99±0.05mm)
+BLUE OUTER JACKET:PVC,OD:5.9±0.2mm.
(TNT P/N:06F-R4P-T24-SH-BL)



Putting one reel in one box.



Note:

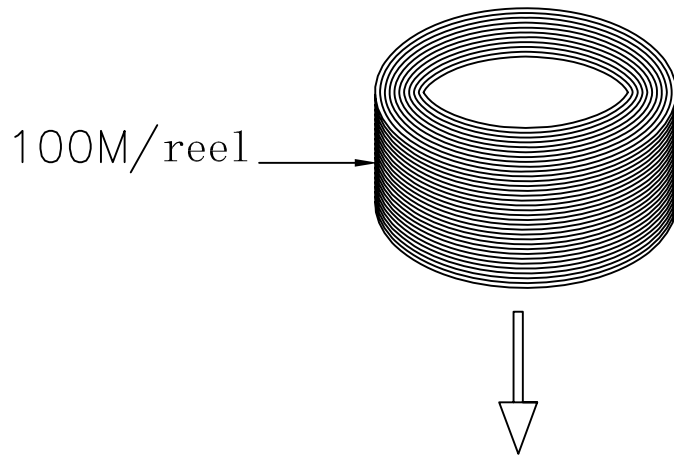
The cable is with modular(05C) in one end, and without modular in another end

NOTE:

- 1)One reel is 305M, putting one reel in one box.
- 2)One reel is connective.
(box dimension:380*380*280MM).
- 3)The one reel is put into a big waterproof bag, and then put them into the box(T-BLK-35-47-8C).

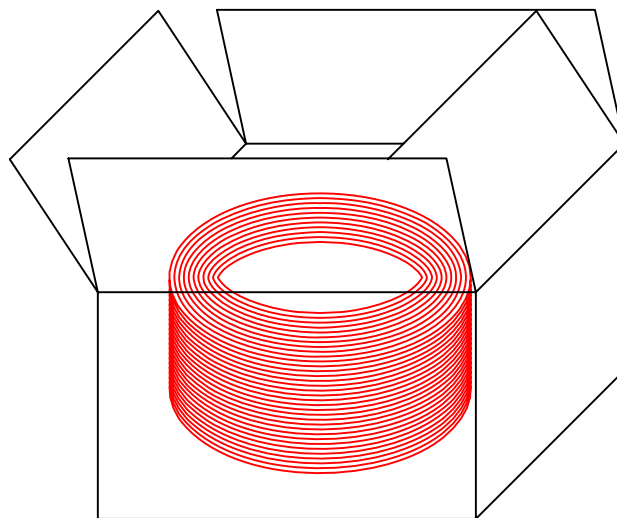
NET MECHANISM Corp
www.cabling-ol.net

SCALE	NONE		REV	A
UNIT	MM			
SHEET	1/1	DWG NO.		
DATE	10/15/10			
TITLE		CAT.5E FTP 305M/reel		
PART NO.		BC-C5ESY-BL300		



CABLE:FTP CAT.5E CABLE.4P*24AWG(7/0.203)(BARE COPPER.INSULATION:HD-PE.OD:0.99±0.05mm)
 +GRAY OUTER JACKET:PVC,OD:5.9±0.2mm.
 (TNT P/N:06F-R4P-T24-SH-GY)

Putting two reels in one box.



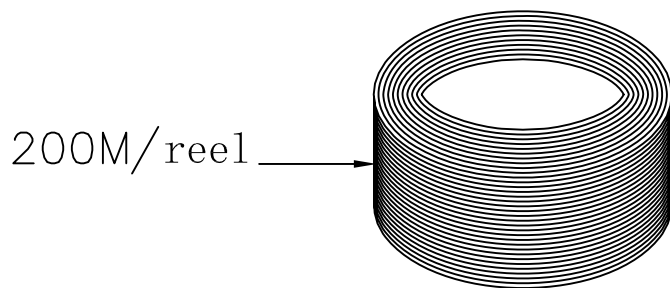
Note:

The cable is with modular(05C) in one end, and without modular in another end

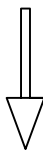
NOTE:

- 1)One reel is 100M,putting two reels in one box.
- 2)One reel is connective.
(box dimension:380*380*280MM).
- 3)The two reels are put into a big waterproof bag, and then put them into the box(T-BLK-35-47-8C).

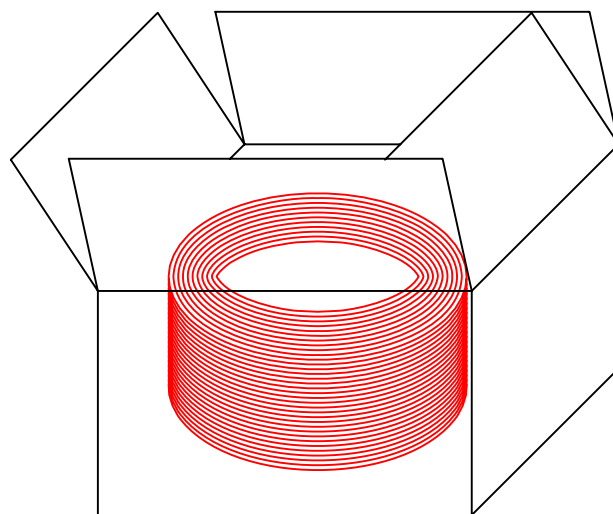
NET MECHANISM Corp www.cabling-ol.net				
SCALE	NONE		REV	A
UNIT	MM			
SHEET	1/1	DWG NO.		
DATE	10/15/10			
TITLE	CAT.5E FTP 100M/reel			
PART NO.	BC-C5ESY-GY100			



CABLE:FTP CAT.5E CABLE.4P*24AWG(7/0.203)(BARE
COPPER.INSULATION:HD-PE.OD:0.99±0.05mm)
+GRAY OUTER JACKET:PVC,OD:5.9±0.2mm.
(TNT P/N:06F-R4P-T24-SH-GY)



Putting two reels in one box.



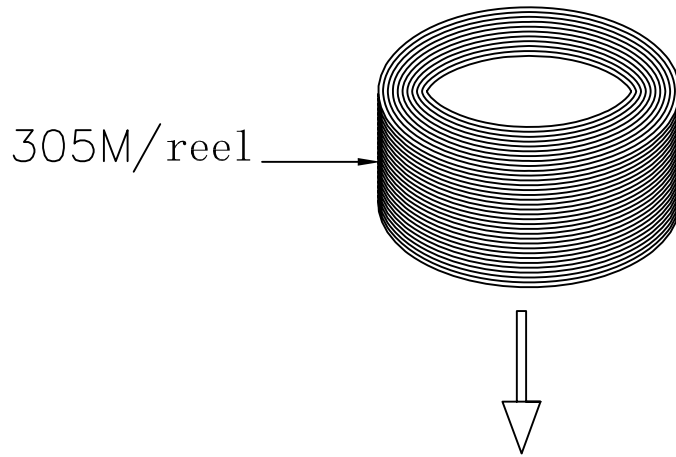
Note:
The cable is with modular(05C) in
one end, and without modular in
another end

NOTE:

- 1)One reel is 200M,putting two reels in one box.
- 2)One reel is connective.
(box dimension:380*380*280MM).
- 3)The two reels are put into a big waterproof bag,
and then put them into the box(T-BLK-35-47-8C).

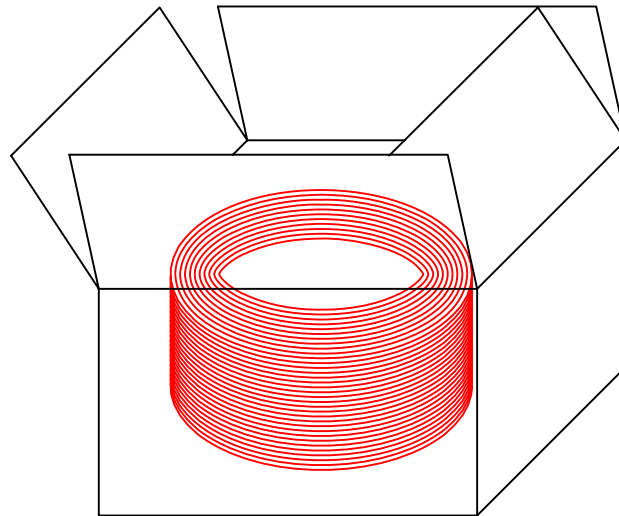
NET MECHANISM Corp
www.cabling-ol.net

SCALE	NONE		REV	A
UNIT	MM			
SHEET	1/1	DWG NO.		
DATE	10/15/10			
TITLE	CAT. 5E FTP 200M/reel			
PART NO.	BC-C5ESY-GY200			



CABLE:FTP CAT.5E CABLE.4P*24AWG(7/0.203)(BARE COPPER.INSULATION:HD-PE.OD:0.99±0.05mm)
 +GRAY OUTER JACKET:PVC,OD:5.9±0.2mm.
 (TNT P/N:06F-R4P-T24-SH-GY)

Putting one reel in one box.



Note:

The cable is with modular(05C) in one end, and without modular in another end

NOTE:

- 1)One reel is 305M, putting one reel in one box.
- 2)One reel is connective.
(box dimension:380*380*280MM).
- 3)The one reel is put into a big waterproof bag, and then put them into the box(T-BLK-35-47-8C).

NET MECHANISM Corp www.cabling-ol.net				
SCALE	NONE		REV	A
UNIT	MM			
SHEET	1/1	DWG NO.		
DATE	10/15/10			
TITLE	CAT. 5E FTP 305M/reel			
PART NO.	BC-C5ESY-GY300			