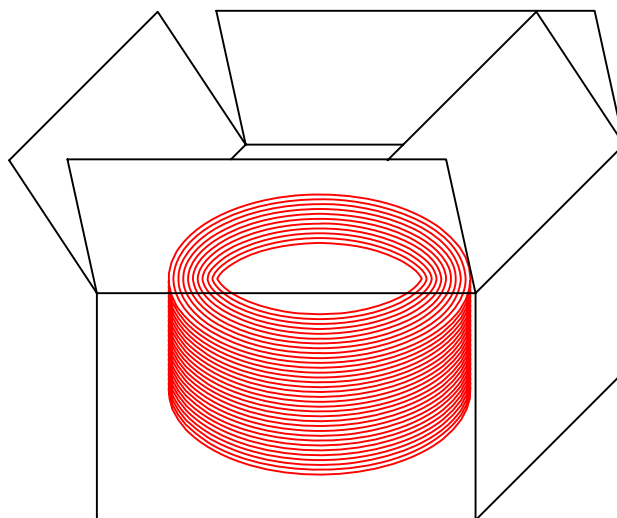


CABLE:UTP CAT.5E CABLE.4P\*24AWG(1/1.52)(BARE COPPER.INSULATION:HD-PE.OD:0.99±0.05mm)  
 +BLUE OUTER JACKET:PVC,OD:5.6±0.2mm.  
 (TNT P/N:06F-R4P-S24-BL)

Putting two reels in one box.



Note:

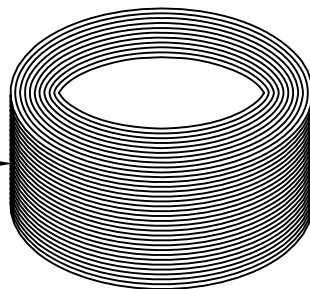
The cable is with modular(05C) in one end, and without modular in another end

NOTE:

- 1)One reel is 100M,putting two reels in one box.
- 2)One reel is connective.  
 (box dimension:380\*380\*280MM).
- 3)The two reels are put into a big waterproof bag,  
 and then put them into the box(T-BLK-35-47-8C).

NET MECHANISM Corp www.cabling-ol.net				
SCALE	NONE		REV	A
UNIT	MM			
SHEET	1/1	DWG NO.		
DATE	10/15/10			
TITLE	CAT. 5E UTP 100M/reel			
PART NO.	BC-C5ET-BL100			

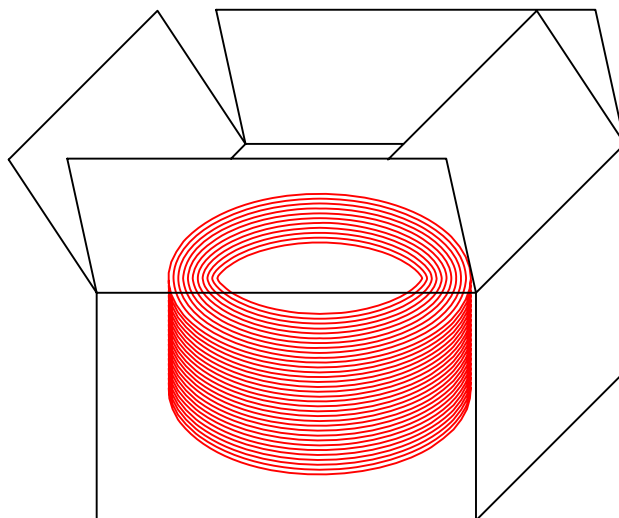
200M/reel



CABLE:UTP CAT.5E CABLE.4P\*24AWG(1/1.52)(BARE  
COPPER.INSULATION:HD-PE.OD:0.99±0.05mm)  
+BLUE OUTER JACKET:PVC,OD:5.6±0.2mm.  
(TNT P/N:06F-R4P-S24-BL)



Putting two reels in one box.



Note:

The cable is with modular(05C) in  
one end, and without modular in  
another end

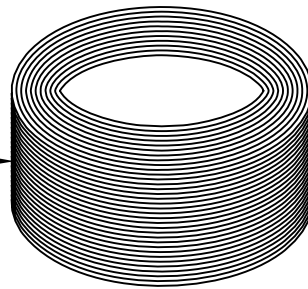
NOTE:

- 1)One reel is 200M,putting two reels in one box.
- 2)One reel is connective.  
(box dimension:380\*380\*280MM).
- 3)The two reels are put into a big waterproof bag,  
and then put them into the box(T-BLK-35-47-8C).

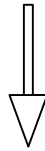
NET MECHANISM Corp  
www.cabling-ol.net

SCALE	NONE		REV	A
UNIT	MM			
SHEET	1/1	DWG NO.		
DATE	10/15/10			
TITLE	CAT.5E UTP 200M/reel			
PART NO.	BC-C5ET-BL200			

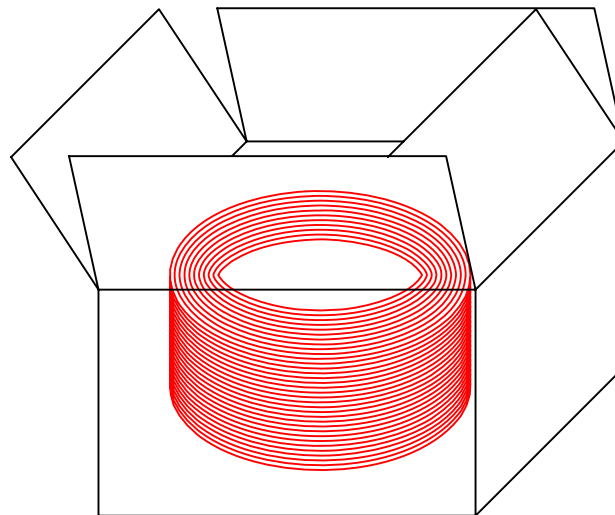
305M/reel



CABLE:UTP CAT.5E CABLE.4P\*24AWG(1/1.52)(BARE  
COPPER.INSULATION:HD-PE.OD:0.99±0.05mm)  
+BLUE OUTER JACKET:PVC,OD:5.6±0.2mm.  
(TNT P/N:06F-R4P-S24-BL)



Putting one reel in one box.



Note:

The cable is with modular(05C) in  
one end, and without modular in  
another end

NOTE:

- 1)One reel is 305M,putting one reel in one box.
- 2)One reel is connective.  
(box dimension:380\*380\*280MM).
- 3)The one reel is put into a big waterproof bag,  
and then put them into the box(T-BLK-35-47-8C).

NET MECHANISM Corp  
www.cabling-ol.net

SCALE	NONE		REV	A
UNIT	MM			
SHEET	1/1	DWG NO.		
DATE	10/15/10			
TITLE		CAT. 5E UTP 305M/reel		
PART NO.		BC-C5ET-BL300		