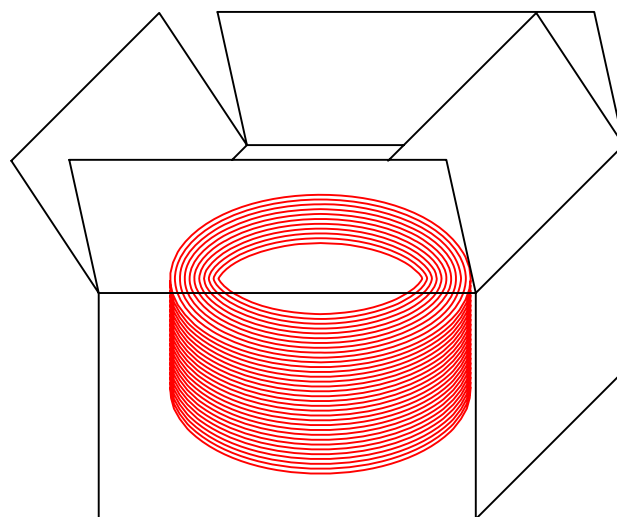


CABLE:UTP CAT.5e CABLE.4P*28AWG(7/0.127)(BARE COPPER.INSULATION:HD-PE.OD:0.98±0.05mm) +BLUE OUTER JACKET:PVC,OD:3.5±0.2mm. (TNT P/N:06F-R4P-T28-BL)

Putting two reels in one box.



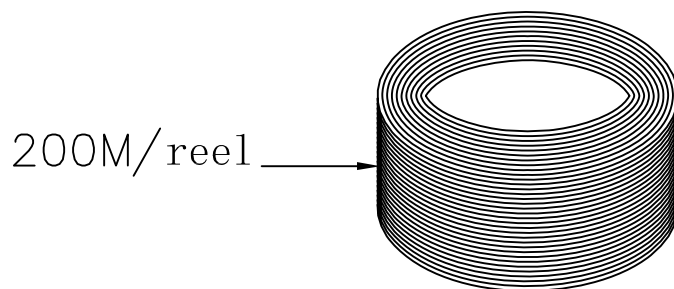
Note:

The cable is with modular(05C) in one end, and without modular in another end

NOTE:

- 1)One reel is 100M,putting two reels in one box.
- 2)One reel is connective.
(box dimension:380*380*280MM).
- 3)The two reels are put into a big waterproof bag, and then put them into the box(T-BLK-35-47-8C).

| | | | | |
|--|----------|-----------------------|-----|---|
| NET MECHANISM Corp www.cabling-ol.net | | | | |
| SCALE | NONE | | REV | A |
| UNIT | MM | | | |
| SHEET | 1/1 | DWG NO. | | |
| DATE | 10/15/10 | | | |
| TITLE | | CAT. 5E UTP 100M/reel | | |
| PART NO. | | BC-C5EYH-BL100 | | |

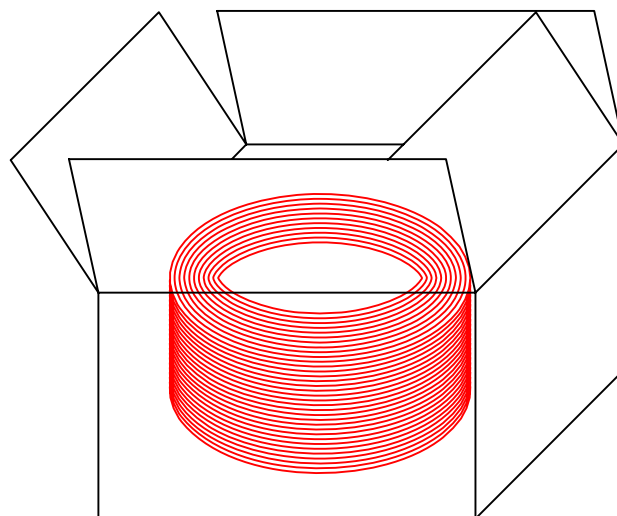


200M/reel

CABLE:UTP CAT.5e CABLE.4P*28AWG(7/0.127)(BARE COPPER.INSULATION:HD-PE.OD:0.98±0.05mm) +BLUE OUTER JACKET:PVC,OD:3.5±0.2mm. (TNT P/N:06F-R4P-T28-BL)



Putting two reels in one box.



Note:

The cable is with modular(05C) in one end, and without modular in another end

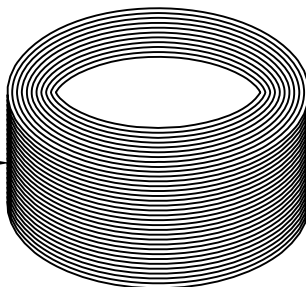
NOTE:

- 1)One reel is 200M,putting two reels in one box.
- 2)One reel is connective.
(box dimension:380*380*280MM).
- 3)The two reels are put into a big waterproof bag, and then put them into the box(T-BLK-35-47-8C).

NET MECHANISM Corp
www.cabling-ol.net

| | | | | |
|----------|-----------------------|---------|-----|---|
| SCALE | NONE | | REV | A |
| UNIT | MM | | | |
| SHEET | 1/1 | DWG NO. | | |
| DATE | 10/15/10 | | | |
| TITLE | CAT. 5E UTP 200M/reel | | | |
| PART NO. | BC-C5EYH-BL200 | | | |

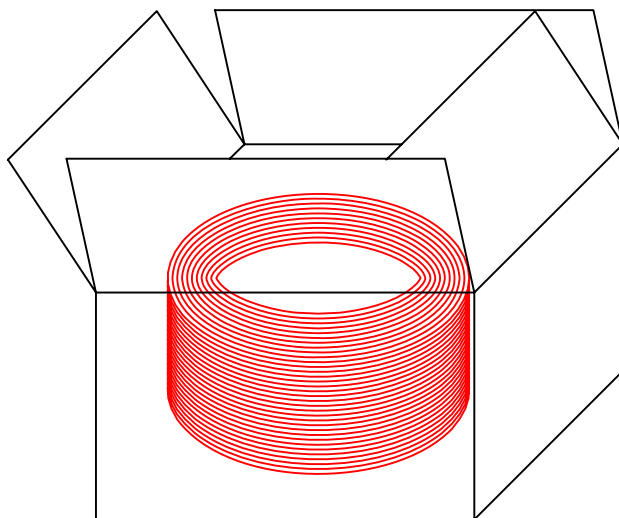
305M/reel



CABLE:UTP CAT.5e CABLE.4P*28AWG(7/0.127)(BARE
COPPER.INSULATION:HD-PE.OD:0.98±0.05mm)
+BLUE OUTER JACKET:PVC,OD:3.5±0.2mm.
(TNT P/N:06F-R4P-T28-BL)



Putting one reel in one box.



Note:

The cable is with modular(05C) in
one end, and without modular in
another end

NOTE:

- 1)One reel is 305M, putting one reel in one box.
- 2)One reel is connective.
(box dimension:380*380*280MM).
- 3)The one reel is put into a big waterproof bag,
and then put them into the box(T-BLK-35-47-8C).

NET MECHANISM Corp
www.cabling-ol.net

| | | | | |
|----------|----------------------|---------|-----|---|
| SCALE | NONE | | REV | A |
| UNIT | MM | | | |
| SHEET | 1/1 | DWG NO. | | |
| DATE | 10/15/10 | | | |
| TITLE | CAT.5E UTP 305M/reel | | | |
| PART NO. | BC-C5EYH-BL300 | | | |