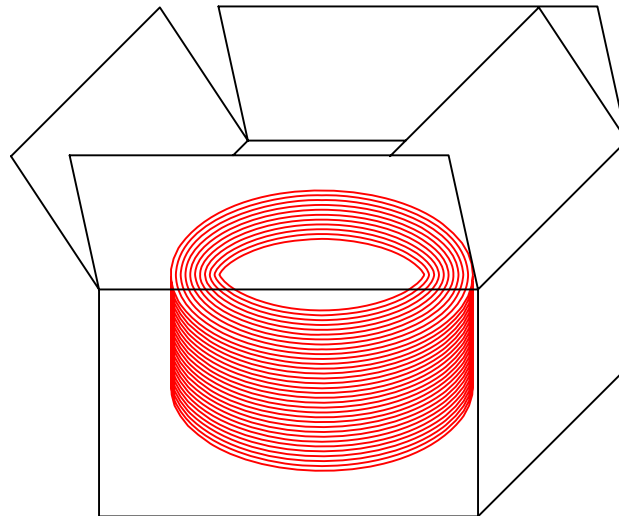
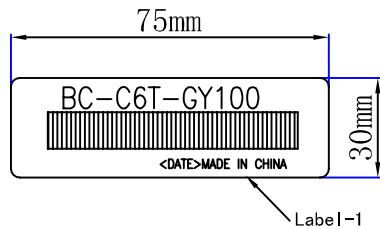
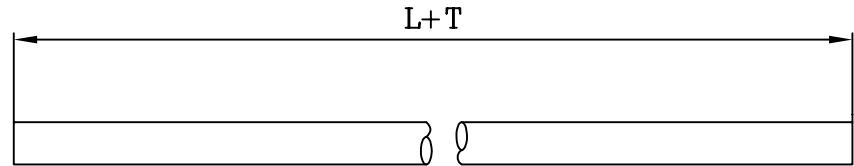


CABLE:UTP CAT.6 CABLE.4P*24AWG(SOLID)(BARE COPPER.INSULATION: HD-PE.OD:0.97±0.05mm+BLUE OUTER JACKET:PVC,OD:6.5±0.2mm.(TNT P/N:06G-R4P-S24-GY)

Note:

The cable is with modular(05C) in one end, and without modular in another end

Putting two reels in one box.

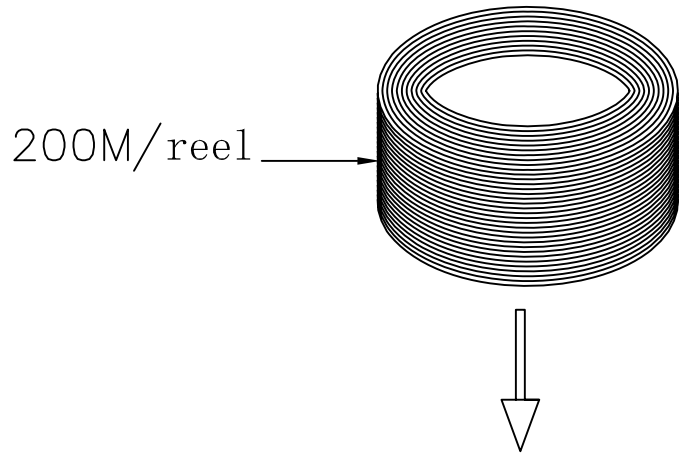


P/N	L(m)	T
BC-C6T-GY100	100	+500/-0mm
BC-C6T-GY200	200	+500/-0mm
BC-C6T-GY300	300	+500/-0mm

NOTE:

- 1)One reel is 100M,With blank all his pocket pack, The label of LABEL-1,putting two reels in one box.
- 2)One reel is connective. (box dimension:380*380*280MM).
- 3)The two reels are put into a big waterproof bag, and then put them into the box(T-BLK-35-47-8C).

NET MECHANISM Corp www.cabling-ol.net				
SCALE	NONE		REV	A
UNIT	MM			
SHEET	1/1	DWG NO.		
DATE	10/15/10			
TITLE	UTP CAT.6 CABLE			
PART NO.	BC-C6T-GY100			

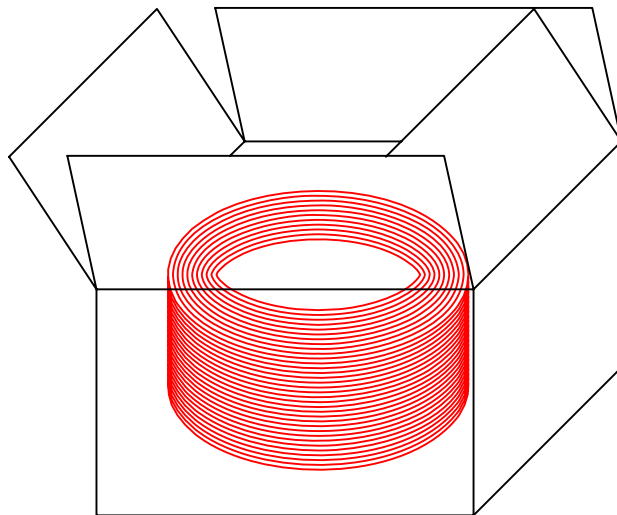
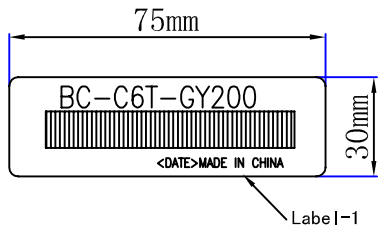
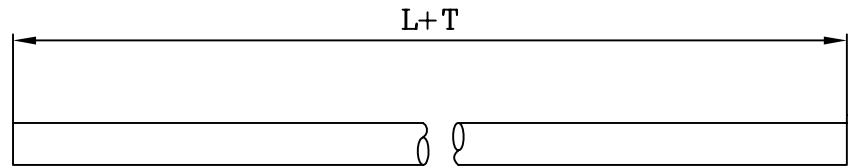


CABLE:UTP CAT.6 CABLE.4P*24AWG(SOLID)(BARE COPPER.INSULATION: HD-PE.OD:0.97±0.05mm+BLUE OUTER JACKET:PVC,OD:6.5±0.2mm.(TNT P/N:06G-R4P-S24-GY)

Note:

The cable is with modular(05C) in one end, and without modular in another end

Putting two reels in one box.



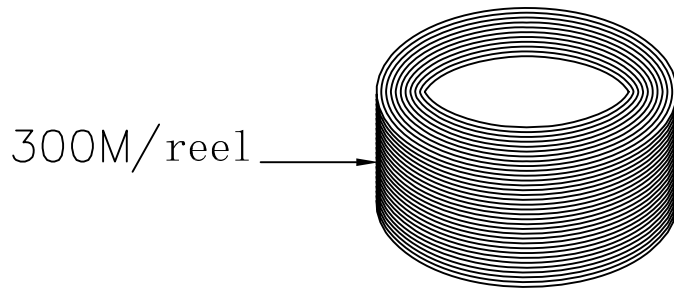
P/N	L(m)	T
BC-C6T-GY100	100	+500/-0mm
BC-C6T-GY200	200	+500/-0mm
BC-C6T-GY300	300	+500/-0mm

NOTE:

- 1)One reel is 200M,With blank all his pocket pack, The label of LABEL-1,putting two reels in one box.
- 2)One reel is connective.
(box dimension:380*380*280MM).
- 3)The two reels are put into a big waterproof bag, and then put them into the box(T-BLK-35-47-8C).

NET MECHANISM Corp
www.cabling-ol.net

SCALE	NONE		REV	A
UNIT	MM			
SHEET	1/1	DWG NO.		
DATE	10/15/10			
TITLE		UTP CAT. 6 CABLE		
PART NO.		BC-C6T-GY200		

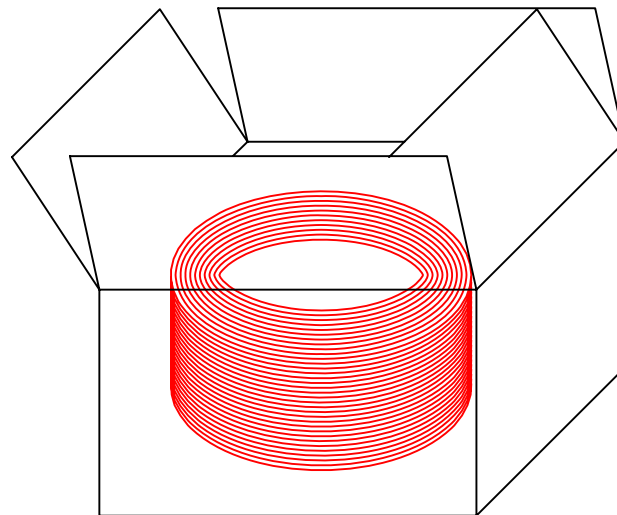
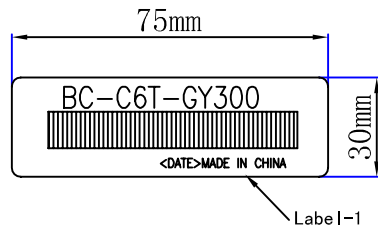
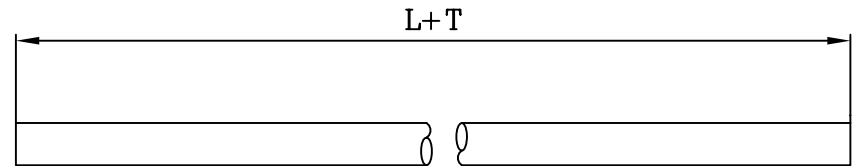


CABLE:UTP CAT.6 CABLE.4P*24AWG(SOLID)(BARE COPPER.INSULATION: HD-PE.OD:0.97±0.05mm+BLUE OUTER JACKET:PVC,OD:6.5±0.2mm.(TNT P/N:06G-R4P-S24-GY)

Note:

The cable is with modular(05C) in one end, and without modular in another end

Putting one reel in one box.



P/N	L(m)	T
BC-C6T-GY100	100	+500/-0mm
BC-C6T-GY200	200	+500/-0mm
BC-C6T-GY300	300	+500/-0mm

NOTE:

- 1)One reel is 300M,With blank all his pocket pack,
The label of LABEL-1,putting one reel in one box.
- 2)One reel is connective.
(box dimension:380*380*280MM).
- 3)The one reel is put into a big waterproof bag,
and then put them into the box(T-BLK-35-47-8C).

NET MECHANISM Corp www.cabling-ol.net				
SCALE	NONE		REV	A
UNIT	MM			
SHEET	1/1	DWG NO.		
DATE	10/15/10			
TITLE		UTP CAT.6 CABLE		
PART NO.		BC-C6T-GY300		