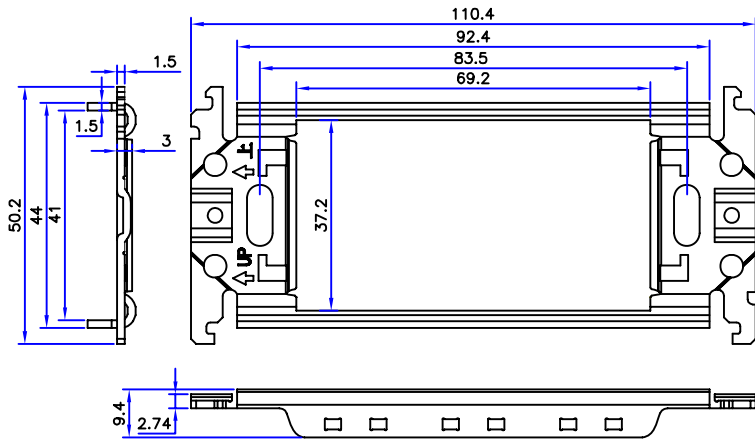
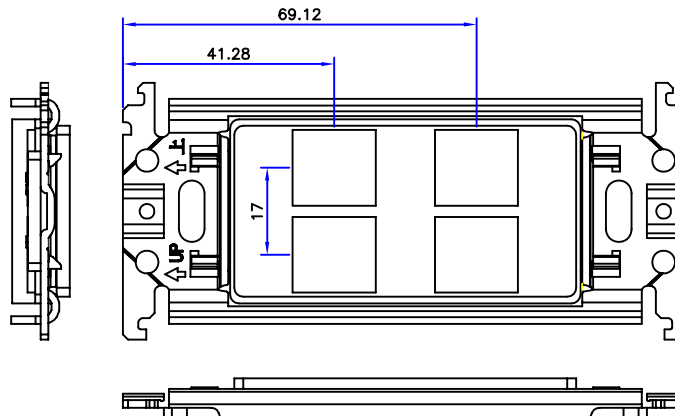


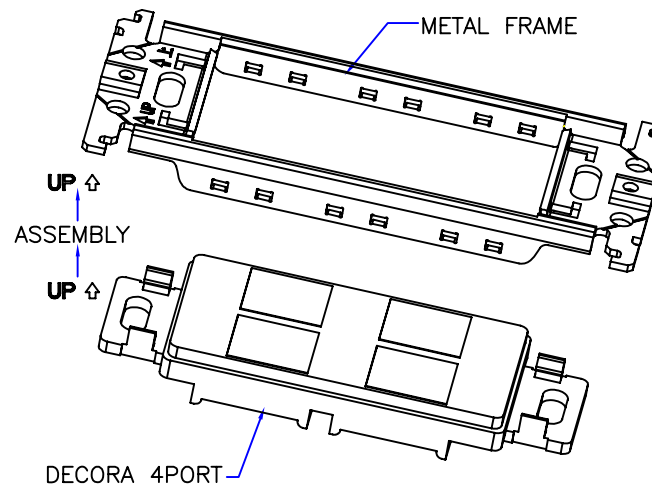
DECORA 4 PORT(07X-I04-WH-J)



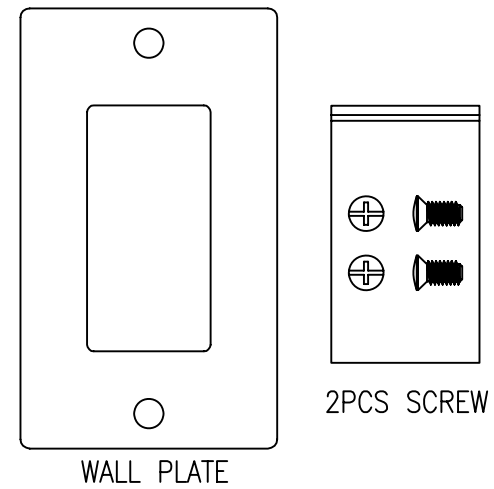
METAL FRAME



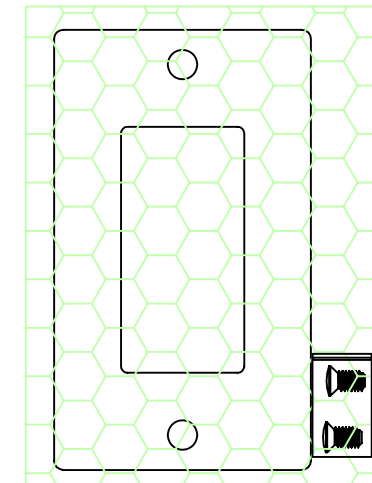
DECORA 4P +METAL FRAME



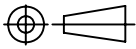
- NOTE:
- 1.DECORA:4 PORT,MATERIAL:PC,COLOR:WHITE.
  - 2.METAL FRAME(PART NO.:PANASONIC WT3700020).
  - 3.DECORA 4P+METAL FRAME.
  - 4.JAPAN 120 TYPE WALL PLATE: MATERIAL:STAINLESS STEEL, 0.6MM.COATING:WHITE.
  - 5.SCREW:M3.5(PITCH=0.6MM),L=6MM,NICKEL PLATED, SCREW THE TOP OF THE WHITE.

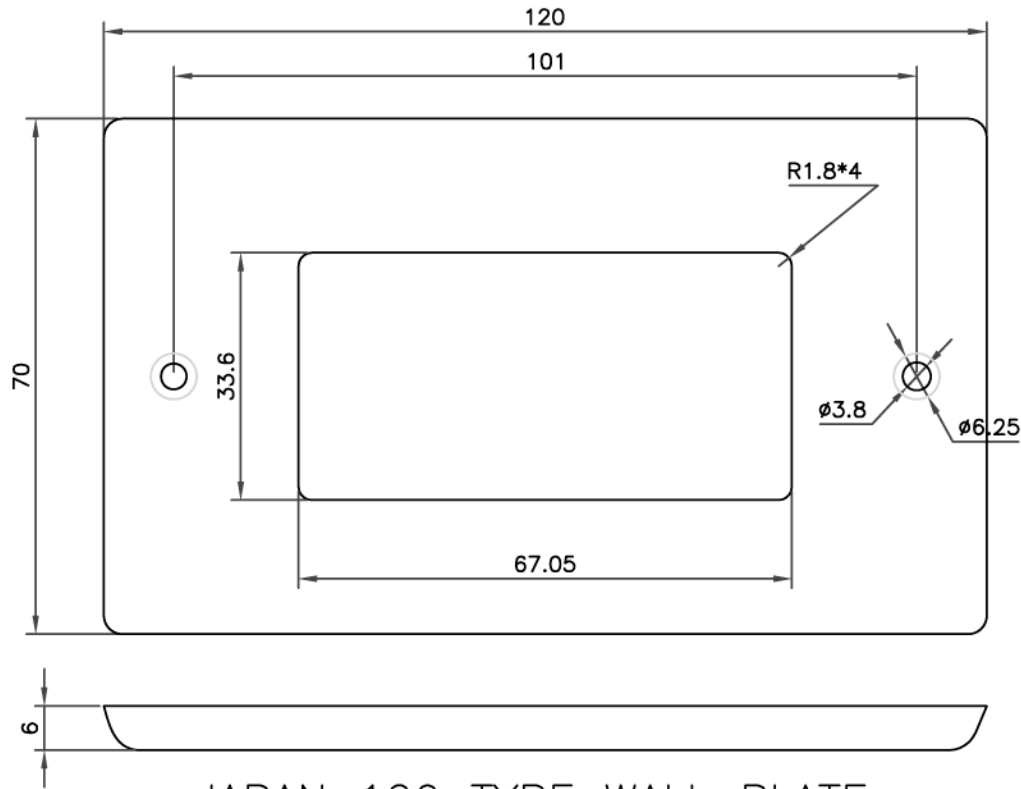


WALL PLATE

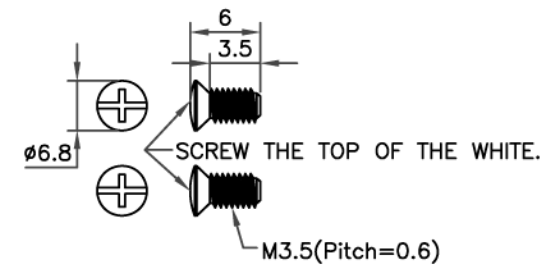


1PC WALL PLATE AND 2PCS SCREW  
IN A BLANK BIBLE-BAG

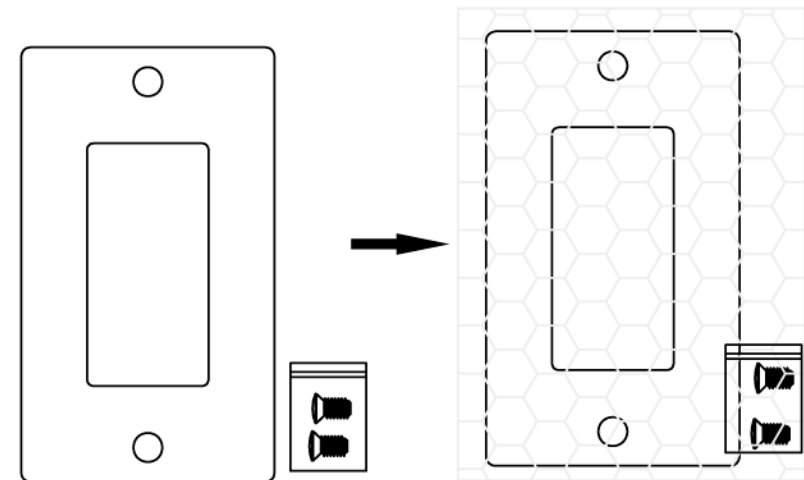
NET MECHANISM Corp				
www.cabling-ol.net				
SCALE	NONE		REV	A
UNIT	MM			
SHEET	1/1	DWG NO.		
DATE	04/23/09			
TITLE				
DECORA 4P +METAL FRAME				
PART NO.				
BFPMTW-DCR04-WH				



JAPAN 120 TYPE WALL PLATE



SCREW(2PCS)



1PC WALL PLATE AND 2PCS SCREW  
IN A BLANK BIBBLE-BAG

NOTE:

- 1.JAPAN 120 TYPE WALL PLATE: MATERIAL:STAINLESS STEEL, 0.6MM.  
COATING:WHITE.
- 2.SCREW:M3.5(PITCH=0.6MM),L=6MM,NICKEL PLATED, SCREW THE  
TOP OF THE WHITE.

NET MECHANISM Corp				
www.cabling-ol.net				
SCALE	NONE		REV	A
UNIT	MM			
SHEET	1/1	DWG NO.		
DATE	04/21/09			
TITLE				
JAPAN 120 TYPE WALL PLATE				
PART NO.				