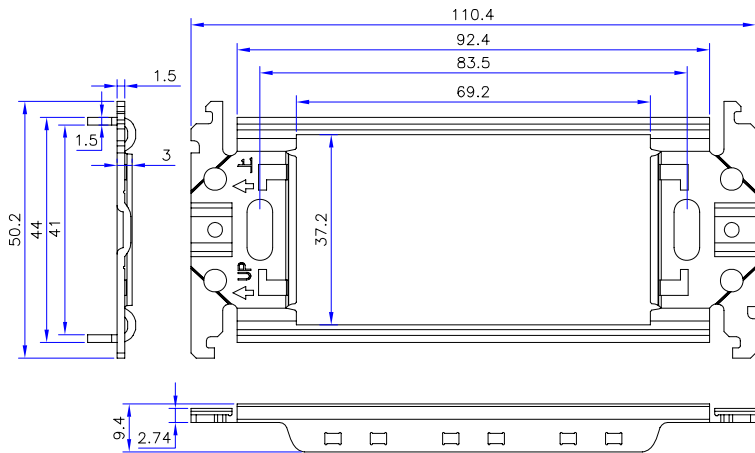
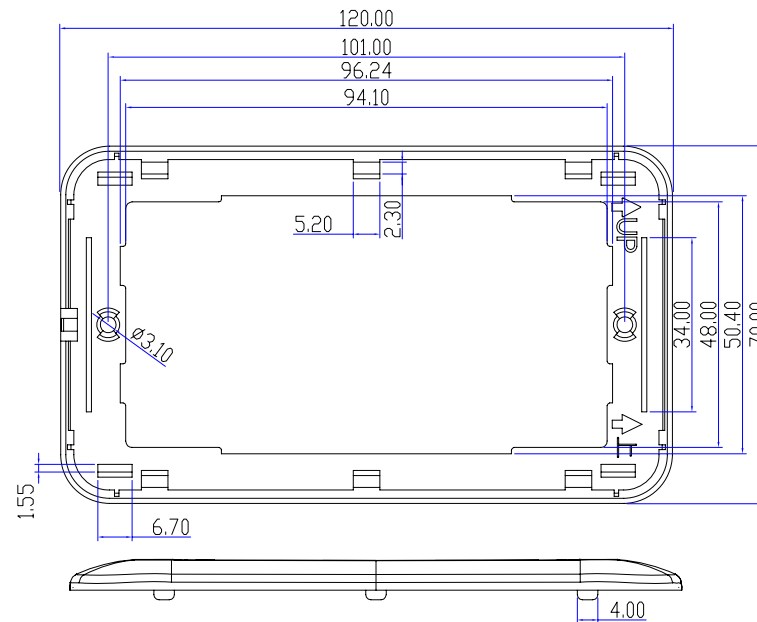


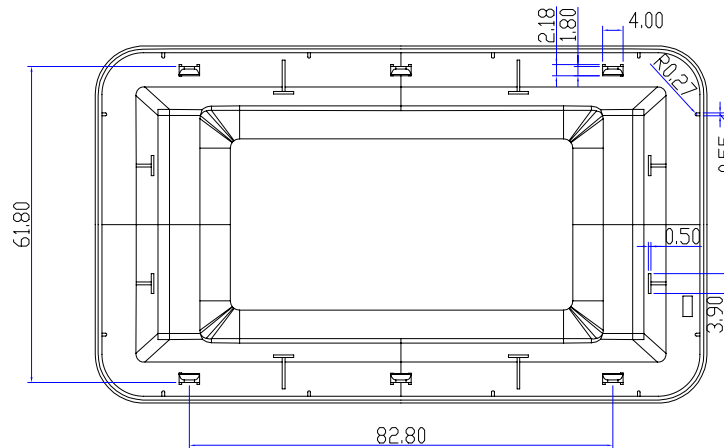
DECORA 1 PORT(07X-101-WH-J)



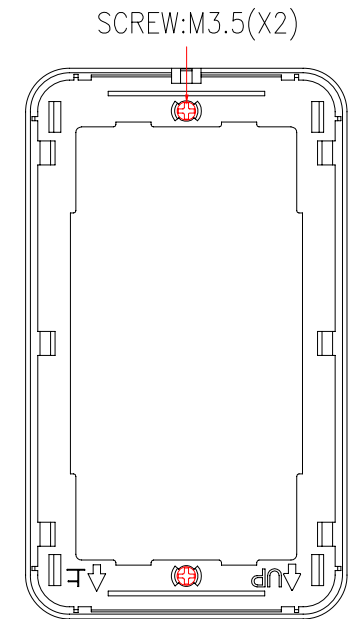
METAL FRAME



JAPANESE FACE PLATE(BACK HOOD)

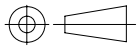


JAPANESE FACE PLATE(FRONT HOOD)



- NOTE:
 1.DECORA:1 PORT,MATERIAL:PC,COLOR:WHITE.
 2.METAL FRAME(PART NO.:PANASONIC WT3700020).
 3.JAPANESE FACE PLATE(BACK HOOD)
 4.JAPANESE FACE PLATE(FRONT HOOD)
 5.SCREW:M3.5, $\phi 5.0 \times 5.3$ MM,NICKEL PLATED

NET MECHANISM Corp
 www.cabling-ol.net

SCALE	NONE		REV	A
UNIT	MM			
SHEET	1/1	DWG NO.		
DATE	JAN.04.10			

TITLE
 DECORA 1P +METAL FRAME

PART NO.
 BLKFP-PL35-WH01