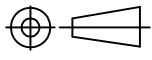


Specification :

Material :

1. Panel : SPCC, 1.5 mm thickness with Black color painted.
2. Insert : ABS, UL 94V-0.

NET MECHANISM Corp www.cabling-ol.net				
SCALE	NONE		REV	A
UNIT	MM			
SHEET	1/1	DWG NO.		
DATE	10/15/09			
TITLE 2U 48ports blank patch panel				
PART NO. BPP15B-048				