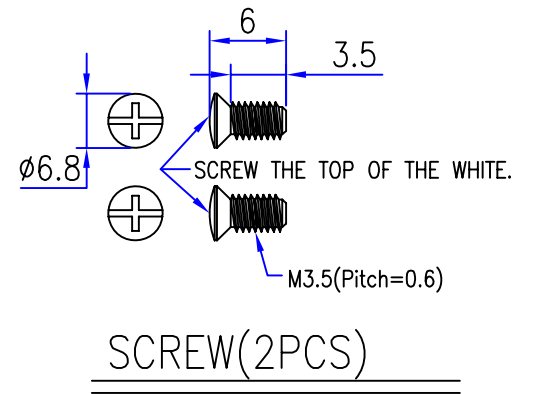
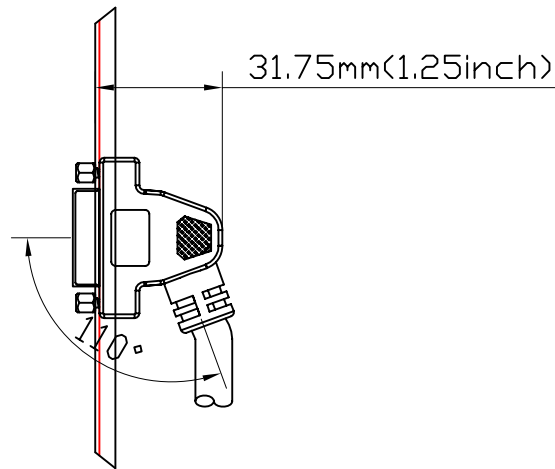
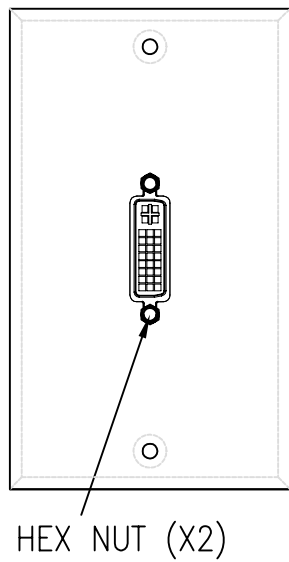
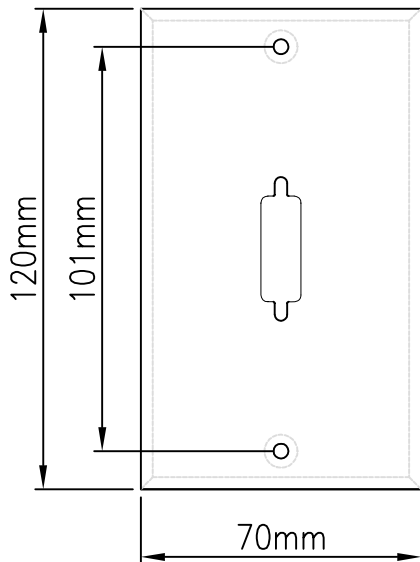


DVIF 1PORT FACE PLATE(P/N:JPFP-DVIF)

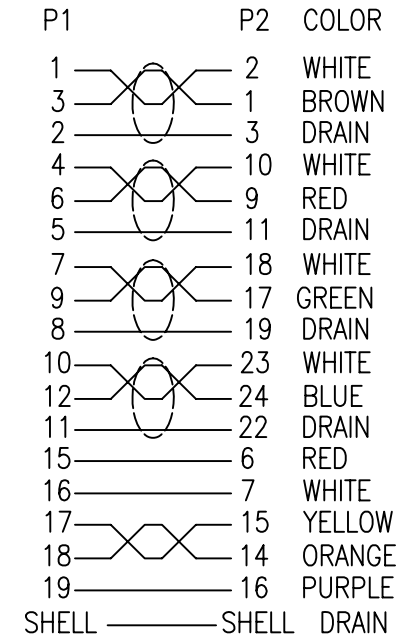


NET MECHANISM Corp				
www.cabling-ol.net				
SCALE	NONE		REV	E
UNIT	MM			
SHEET	1/2	DWG NO.		
DATE	12/03/10			
TITLE				
DIN19M TO DVI24+5 F+FACE PLATE				
PART NO.				
HWADC-DVID-130				

NOTE:

1. CABLE: High speed HDMI® CABLE UL20276 (28AWG*1P+AL+D+MYLAR)*4C+28AWG*1P+28AWG*5C+AL/MY+DRAIN(BARE COPPER)+BRAID(A-M ALLOY) JACKET COLOR:BLACK OD:6.5±0.15mm.
2. CONNECTOR: P1: DIN 19P MALE, SOLDER TYPE, TINNED PLATED CONTACTS, INSULATION: BLACK, NICKEL PLATED SHELL, LOCKER TYPE.
P2: DVI 24+5 FEMALE, PIN: G/F, INSULATION WHITE, NICKEL PLATED SHELL WITH METAL HEX NUT.
3. JAPAN METAL FACE PLATE: 1PORT, STAINLESS STEEL, WHITE PAINTED. WITH 2PCS METAL SCREWS.
4. SHIELDED: COPPER FOIL TAPE COVER PREMOLD AND 360° SOLDER TO CONNECTOR SHELL AND CABLE DRAIN.
5. MOLDED 45P BLACK PVC.
6. TESTING: 100% ELECTRICAL TEST .
7. MOLD P/N: D14M-N01, D14M-02, DVIF-110-01, DVIF-110-N01

WIRE CONNECTION



NET MECHANISM Corp www.cabling-ol.net				
SCALE	NONE		REV	E
UNIT	MM			
SHEET	2/2	DWG NO.		
DATE	12/03/10			
TITLE	DIN19M TO DVI24+5 F+FACE PLATE			
PART NO.	HWADC-DVID-130			