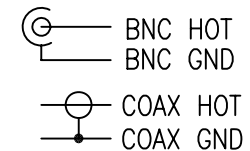
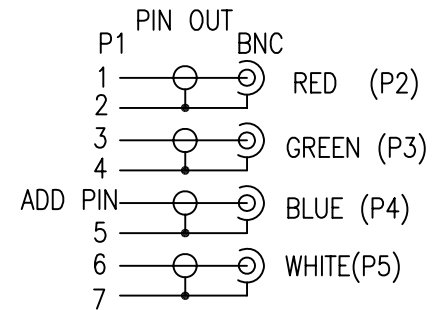
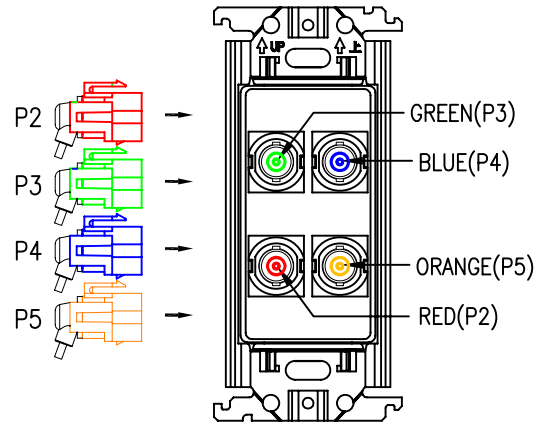


1PC WALL PLATE AND 2PCS SCREW
IN A BLANK BIBBLE-BAG



NOTE:

1. CABLE:UL20276 UL1354(30AWG+S)*5COAX(OFC)+PAPER JACKET PVC BLACK OD:7.0±0.15MM
2. CONNECTOR: P1: MINI DIN 8+1PIN FEMALE: SOLDER TYPE, GOLD FLASH CONTACTS, BLACK INSULATION, NICKEL PLATED. SHELL.
P2, P3, P4,P5: BNC FEMALE WHITE INSULATON,COPPER COVER, 75 ohm.
3. JAPAN PLASTIC FACE PATE:4PORTS.WHITE PAINTED.
4. JAPAN 120 TYPE WALL PLATE: MATERIAL:STAINLESS STEEL, 0.6MM.
COATING:WHITE.
5. SCREW:M3.5(PITCH=0.6MM),L=6MM,NICKEL PLATED, SCREW THE TOP OF THE WHITE.
6. HOOD: MD8+1F MOLDED 45P BLACK PVC,BNC FEMALE MOLDED 25P WHITE(WH05) PVC.
7. TESTING: 100% ELECTRICAL TEST.
8. MOLD NO: MD6F-N01, MD6F-01, BNC-N05,BNC-05.

NET MECHANISM Corp www.cabling-ol.net				
SCALE	NONE		REV	B
UNIT	MM			
SHEET	1/1	DWG NO.		
DATE	10/25/10			
TITLE MD8+1F TO 4BNC+FACE PLATE				
PART NO. HWFPC-4BNCF-120				