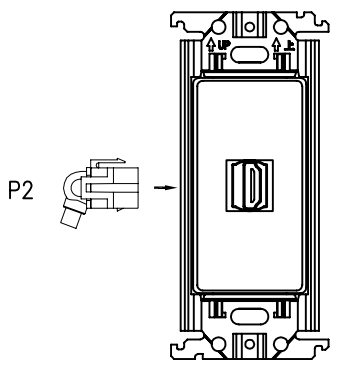


1PC WALL PLATE AND 2PCS SCREW  
IN A BLANK BIBBLE-BAG



(P/N:BLKMTW-DECO01-WH)

PIN OUT

P1	P2 COLOR	P1	P2 COLOR
1	WHITE	10	WHITE
3	BROWN	12	BLUE
2	DRAIN	11	DRAIN
4	WHITE	13	PURPLE
6	RED	14	RED
5	DRAIN	15	YELLOW
7	WHITE	16	ORANGE
9	GREEN	17	BLUE
8	DRAIN	18	GREEN
		19	WHITE
		SHELL	SHELL DRAIN

NOTE:

1. CABLE: High speed HDMI® CABLE UL20276 (28AWG\*1P+AL+D+MYLAR)\*4C+28AWG\*1P+28AWG\*5C+AL/MY+DRAIN(BARE COPPER)+BRAID(A-M ALLOY) JACKET COLOR:BLACK OD:6.5±0.15mm.
2. CONNECTOR: P1: DIN 19P MALE, SOLDER TYPE, TINNED PLATED CONTACTS, INSULATION: BLACK, NICKEL PLATED SHELL.  
P2: HDMI 19P FEMALE: BLACK, GOLD PLATED SHELL.
3. JAPAN PLASTIC FACE PLATE: 1PORT, WHITE PLASTIC.
4. JAPAN 120 TYPE WALL PLATE: MATERIAL:STAINLESS STEEL, 0.6MM.COATING:WHITE.
5. SCREW:M3.5(PITCH=0.6MM),L=6MM,NICKEL PLATED, SCREW THETOP OF THE WHITE.
6. P1 SHIELDED: COPPER FOIL TAPE COVER PREMOLD AND 360° SOLDER TO CONNECTOR SHELL AND CABLE BRAID.
7. HOOD: P1: MOLDED BLACK PVC;P2: MOLDED 25P WHITE(WH05) PVC.
8. 100% OPEN AND SHORT TESTING.
9. MOLD NO: D14M-N01, D14M-02, HDMI-11, HDMI-N11.

NET MECHANISM Corp www.cabling-ol.net				
SCALE	NONE		REV	C
UNIT	MM			
SHEET	1/1	DWG NO.		
DATE	12/03/10			
TITLE DIN19M TO HDMI19F+FACE PLATE				
PART NO. HWFPC-HDMIF-130				