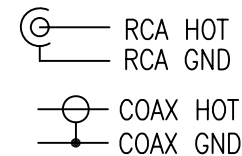
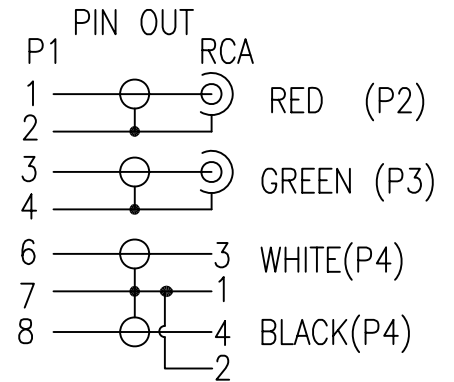
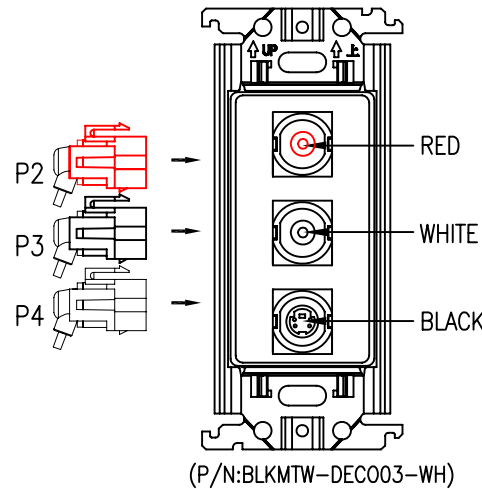


1PC WALL PLATE AND 2PCS SCREW  
IN A BLANK BIBBLE-BAG



NOTE:

- CABLE: UL20276 UL1354(30AWG+S)\*5COAX(OFC)+PAPER JACKET PVC BLACK OD:7.0±0.15MM
- CONNECTOR: P1: MINI DIN 8+1PIN FEMALE: SOLDER TYPE, GOLD FLASH CONTACTS, BLACK INSULATION, NICKEL PLATED. SHELL.  
P2, P3: RCA FEMALE: NICKEL PLATED CONTACTS AND SHELL, SOLDER TYPE.  
P4: MD4 FEMALE: NICKEL PLATED CONTACTS AND SHELL.
- JAPAN PLASTIC FACE PATE:3PORTS.WHYTE PAINTED.
- JAPAN 120 TYPE WALL PLATE: MATERIAL:STAINLESS STEEL, 0.6MM. COATING:WHITE.
- SCREW:M3.5(PITCH=0.6MM),L=6MM,NICKEL PLATED, SCREW THE TOP OF THE WHITE.
- P1 MOLDED 45P BLACK PVC,P2~P4 MOLDED 25P WHITE(WH05) PVC.
- TESTING: 100% ELECTRICAL TEST.
- PACKING: EACH CABLE IN A BOX.
- MOLD NO.: MD6F-N01, MD6F-01, RCA-N06,RCA-06.

NET MECHANISM Corp  
www.cabling-ol.net

SCALE	NONE		REV	B
UNIT	MM			
SHEET	1/1	DWG NO.		
DATE	10/25/10			

TITLE  
MD8+1F TO 2RCA/F+MD4F+FACE PLATE  
PART NO.  
HWFPC-MD4F-2RCAF-120