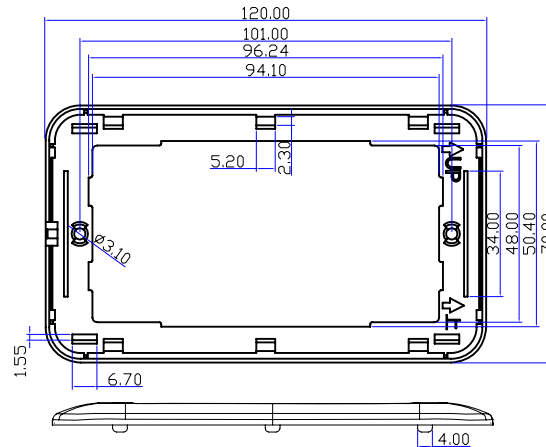
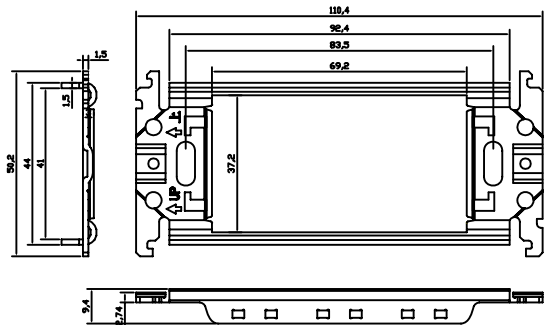
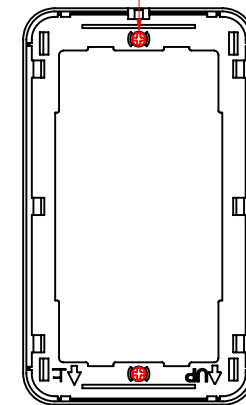


DECORA 1 PORT(07X-I01-WH-J)

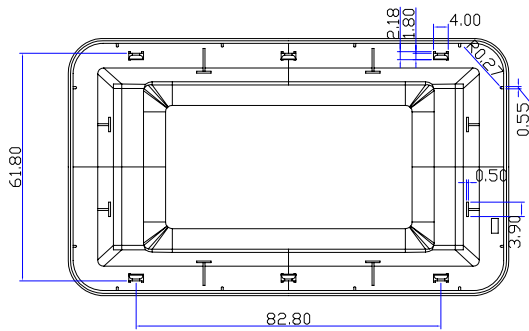


JAPANESE FACE PLATE(BACK HOOD)

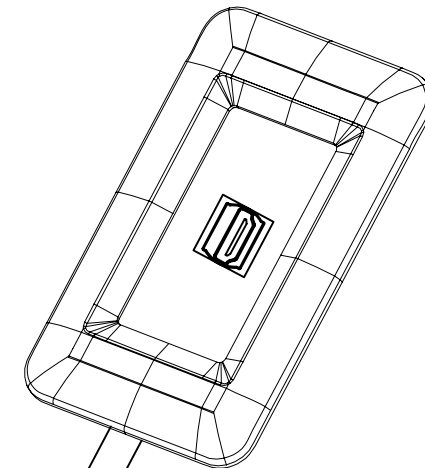
SCREW:M3.5(X2)



METAL FRAME



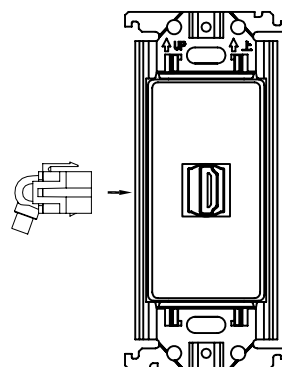
JAPANESE FACE PLATE(FRONT HOOD)



ASSEMBLY DRAWING

NOTE:

- 1.DECORA:1 PORT,MATERIAL:PC,COLOR:WHITE.
- 2.METAL FRAME(PART NO.:PANASONIC WT3700020).
- 3.JAPANESE FACE PLATE(BACK HOOD)
- 4.JAPANESE FACE PLATE(FRONT HOOD)
- 5.SCREW:M3.5,φ5.0\*5.3MM,NICKEL PLATED

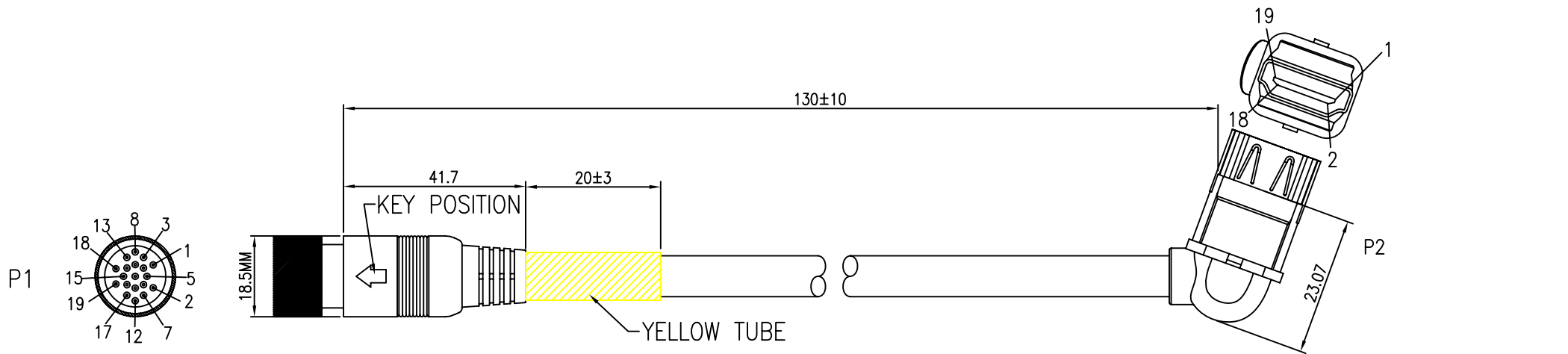


NET MECHANISM Corp  
www.cabling-ol.net

SCALE	NONE		REV	A
UNIT	MM			
SHEET	1/2	DWG NO.		
DATE	02/27/10			

TITLE  
DIN19M TO HDMI19F+FACE PLATE

PART NO.  
PFPC-HDMIF-130



PIN OUT

P1	P2 COLOR	P1	P2 COLOR
1	WHITE	10	WHITE
3	BROWN	12	BLUE
2	DRAIN	11	DRAIN
4	WHITE	13	PURPLE
6	RED	14	RED
5	DRAIN	15	YELLOW
7	WHITE	16	ORANGE
9	GREEN	17	BLUE
8	DRAIN	18	GREEN
		19	WHITE
		SHELL	SHELL BRAID

NOTE:

1. CABLE: UL20276 HDMI 1.3 CABLE, (28#\*1P+D+MYLAR+AL)\*4C+28#\*1P+28#\*5C+AB, JACKET: BLACK, OD:6.5MM.
2. CONNECTOR: P1: DIN 19P MALE, SOLDER TYPE, TINNED PLATED CONTACTS, INSULATION: BLACK, NICKEL PLATED SHELL.  
P2: HDMI 19P FEMALE: BLACK, GOLD PLATED SHELL.
3. P1 SHIELDED: COPPER FOIL TAPE COVER PREMOLD AND 360° SOLDER TO CONNECTOR SHELL AND CABLE BRAID.
4. HOOD: P1: MOLDED BLACK PVC;P2: MOLDED 25P WHITE(WH05) PVC.
5. 100% OPEN AND SHORT TESTING.
6. MOLD NO: D14M-N01, D14M-02, HDMI-11, HDMI-N11.

NET MECHANISM Corp www.cabling-ol.net				
SCALE	NONE		REV	A
UNIT	MM			
SHEET	2/2	DWG NO.		
DATE	02/27/10			
TITLE DIN19M TO HDMI19F+FACE PLATE				
PART NO. PFPC-HDMIF-130				