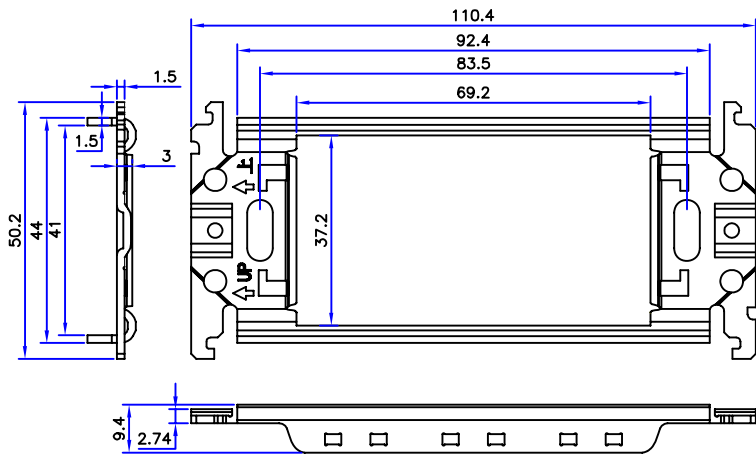
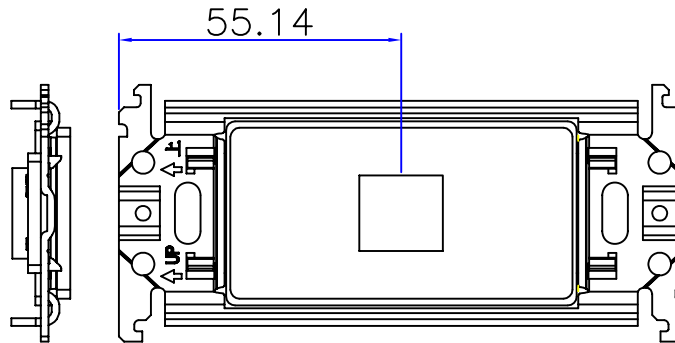


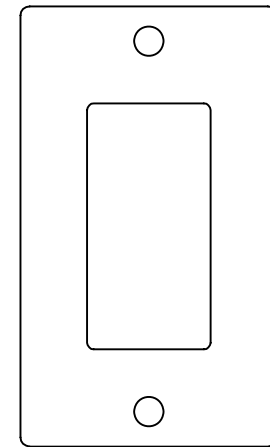
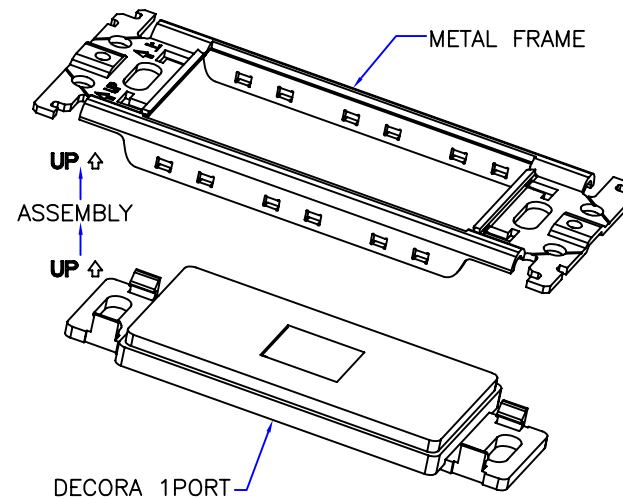
DECORA 1 PORT(07X-I01-WH-J)



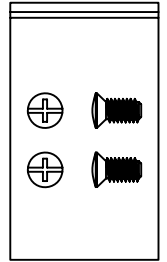
METAL FRAME



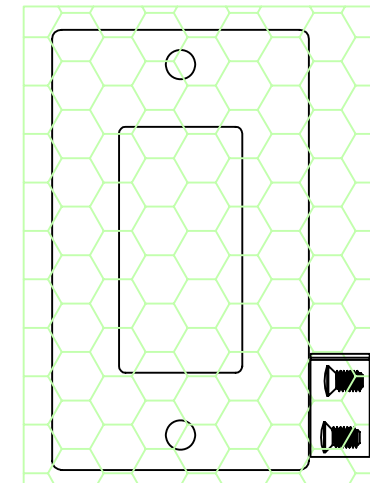
DECORA 1P +METAL FRAME



WALL PLATE

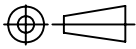


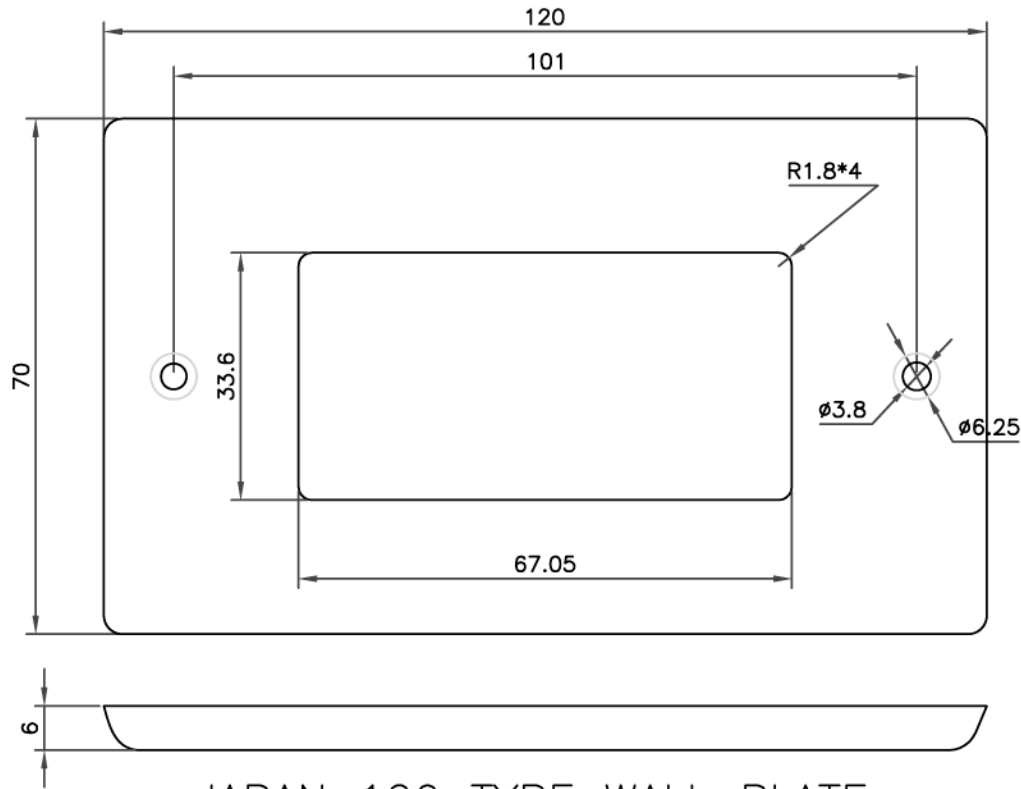
2PCS SCREW



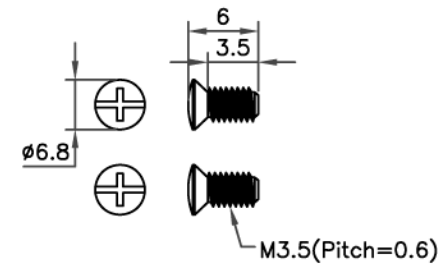
1PC WALL PLATE AND 2PCS SCREW
IN A BLANK BIBBLE-BAG

- NOTE:
- 1.DECORA:1 PORT,MATERIAL:PC,COLOR:WHITE.
 - 2.METAL FRAME(PART NO.:PANASONIC WT3700020).
 - 3.DECORA 1P+METAL FRAME.
 - 4.JAPAN 120 TYPE WALL PLATE: MATERIAL:STAINLESS STEEL, 0.6MM.
 - 5.SCREW:M3.5(PITCH=0.6MM),L=6MM,NICKEL PLATED,

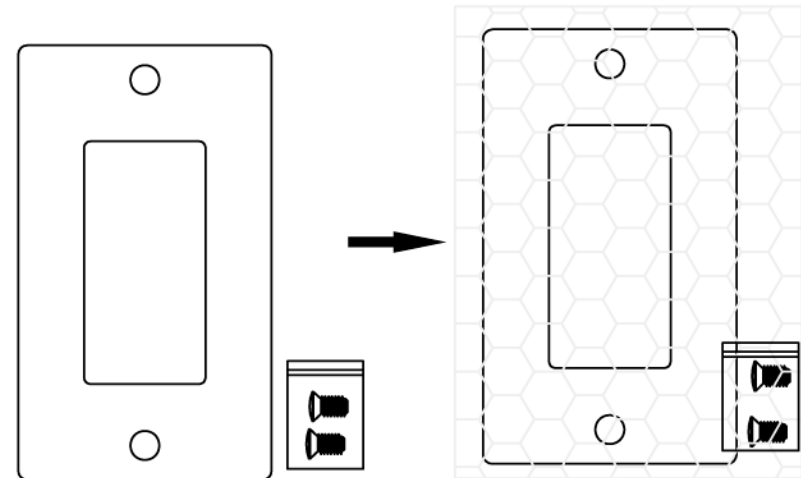
| | | | | |
|------------------------|----------|---|-----|---|
| NET MECHANISM Corp | | | | |
| www.cabling-ol.net | | | | |
| SCALE | NONE |  | REV | A |
| UNIT | MM | | | |
| SHEET | 1/1 | DWG NO. | | |
| DATE | 03/03/10 | | | |
| TITLE | | | | |
| DECORA 1P +METAL FRAME | | | | |
| PART NO. | | | | |
| SBFP-DCR01-WH | | | | |



JAPAN 120 TYPE WALL PLATE



SCREW(2PCS)



1PC WALL PLATE AND 2PCS SCREW
IN A BLANK BUBBLE-BAG

- NOTE:
 1.JAPAN 120 TYPE WALL PLATE: MATERIAL:STAINLESS STEEL, 0.6MM.
 2.SCREW:M3.5(PITCH=0.6MM),L=6MM,NICKEL PLATED

| | | | | |
|---------------------------|----------|---------|-----|---|
| NET MECHANISM Corp | | | | |
| www.cabling-ol.net | | | | |
| SCALE | NONE | | REV | A |
| UNIT | MM | | | |
| SHEET | 1/1 | DWG NO. | | |
| DATE | 07/08/09 | | | |
| TITLE | | | | |
| JAPAN 120 TYPE WALL PLATE | | | | |
| PART NO. | | | | |